



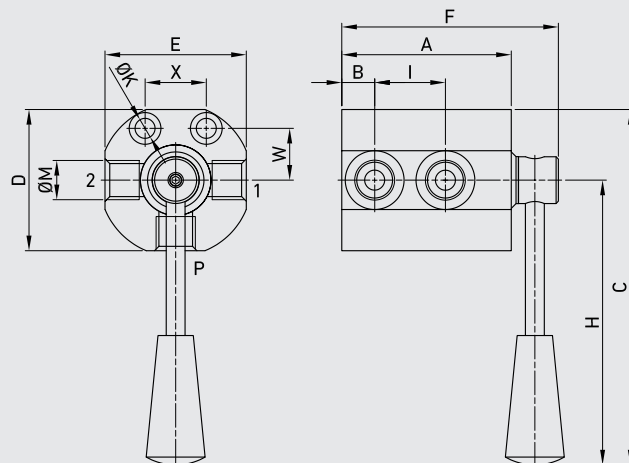
# DDF6-A

6 WAYS FLOW  
DIVERTERS

Edition. 21.0

## CS Carbon Steel

- Type: 6 ways flow diverters
- Pressure: up to PN500
- Treatments: Galvanized



**CODE DESCRIPTION STRUCTURE**
**DDF6-A G1/2**
**Type and way of valve**

DDF6-A 6 ways flow dividers

**Ends**

 GAS DIN/  
ISO 228

BSP

G 1/4

G 3/8

G 1/2

G 3/4

Mineral Oil: DIN 51524 ISO 6743/4

 Oil viscosity: 15-250mm<sup>2</sup>/s

Oil temperature: -20°C +80°C

Ambient temperature: -20°C +50°C

Max contamination index with filter:

 15-250mm<sup>2</sup>/s

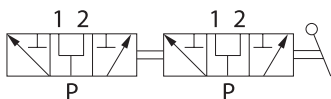
Necessary to use a filter to protect the valve

(advised filtration 15um)


**DDF6-A - Flow diverter six-way open center**

 CS  
Carbon Steel

TYPE	DN	PN	A	B	C	D	E	F	w	H	I	X	ØK	ØM	WEIGHT	ITEM CODE
DDF6-A G1/4	DN6	MPa 500	mm 72	14	150	60	60	92	22	120	30	26	8,5	G1/4	kg 1,71	NDF5G010000
		Psi 7250	inch 2,83	0,55	5,91	2,36	2,36	3,62	0,87	4,72	1,18	1,02	0,33		lb 3,76	
DDF6-A G3/8	DN10	MPa 500	mm 72	14	150	60	60	92	22	120	30	26	8,5	G3/8	kg 1,71	NDF5G020000
		Psi 7250	inch 2,83	0,55	5,91	2,36	2,36	3,62	0,87	4,72	1,18	1,02	0,33		lb 3,76	
DDF6-A G1/2	DN13	MPa 500	mm 83	16	152,5	65	65	103	22	120	38	26	8,5	G1/2	kg 2,25	NDF5G030000
		Psi 7250	inch 3,27	0,63	6,00	2,56	2,56	4,06	0,87	4,72	1,50	1,02	0,33		lb 0,4,95	
DDF6-A G3/4	DN20	MPa 500	mm 94	22	160	80	80	119	26	120	44	32	10,5	G3/4	kg 3,84	NDF5G040000
		Psi 7250	inch 3,70	0,87	6,30	3,15	3,15	4,69	1,02	4,72	1,73	1,26	0,41		lb 8,45	


**DDF6-A - Flow diverter six-way closed center**

 CS  
Carbon Steel

TYPE	DN	PN	A	B	C	D	E	F	w	H	I	X	ØK	ØM	WEIGHT	ITEM CODE
DDF6-A G1/4	DN6	MPa 500	mm 72	14	150	60	60	92	22	120	30	26	8,5	G1/4	kg 1,71	NDF5G010001
		Psi 7250	inch 2,83	0,55	5,91	2,36	2,36	3,62	0,87	4,72	1,18	1,02	0,33		lb 3,76	
DDF6-A G3/8	DN10	MPa 500	mm 72	14	150	60	60	92	22	120	30	26	8,5	G3/8	kg 1,71	NDF5G020001
		Psi 7250	inch 2,83	0,55	5,91	2,36	2,36	3,62	0,87	4,72	1,18	1,02	0,33		lb 3,76	
DDF6-A G1/2	DN13	MPa 500	mm 83	16	152,5	65	65	103	22	120	38	26	8,5	G1/2	kg 2,25	NDF5G030001
		Psi 7250	inch 3,27	0,63	6,00	2,56	2,56	4,06	0,87	4,72	1,50	1,02	0,33		lb 0,4,95	
DDF6-A G3/4	DN20	MPa 500	mm 94	22	160	80	80	119	26	120	44	32	10,5	G3/4	kg 3,84	NDF5G040001
		Psi 7250	inch 3,70	0,87	6,30	3,15	3,15	4,69	1,02	4,72	1,73	1,26	0,41		lb 8,45	

