



VUF/VUS

CHECK VALVE (WITH FLANGES)

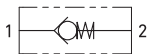
Edition. 21.0

CS Carbon Steel

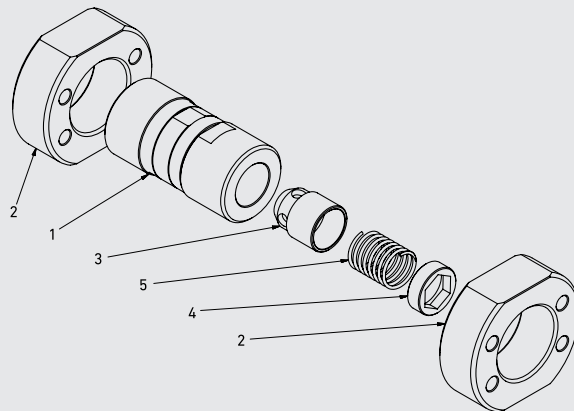
- Type: check valve
- Sizes: from DN13 up to DN50
- Ends: SAE
- Pressure: up to PN420
- Temp range: -20°C to +100°C

SS Stainless Steel

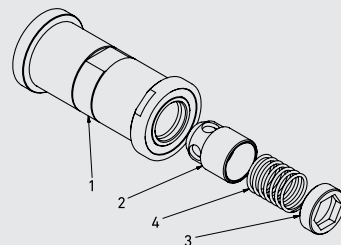
- Type: check valve
- Sizes: from DN13 up to DN50
- Ends: SAE
- Pressure: up to PN420
- Temp range: -30°C to +100°C



STANDARD COMPOSITION OF VALVE



VUF



VUS



VUF



VUS

CODE DESCRIPTION STRUCTURE

VUF/VUS 1/2 CS

Type and way of valve

VU check valves

Ends

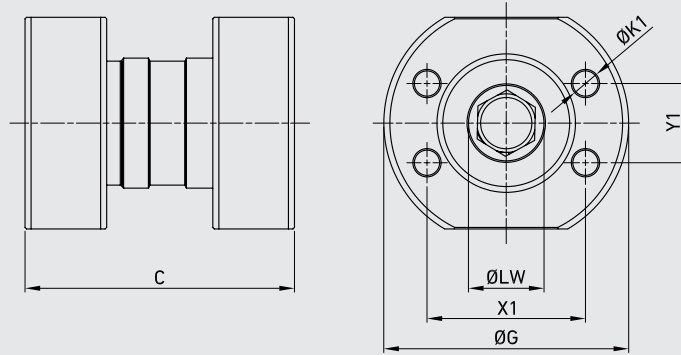
VUF	VUS	VUS
SAE J518	SAE J518	SAE J518
S6000-F62	S3000-C61	S6000-C62
1/2	1/2	1/2
3/4	3/4	3/4
1	1	1
1 1/4	1 1/4	1 1/4
1 1/2	1 1/2	1 1/2
2	2	2

Body Material

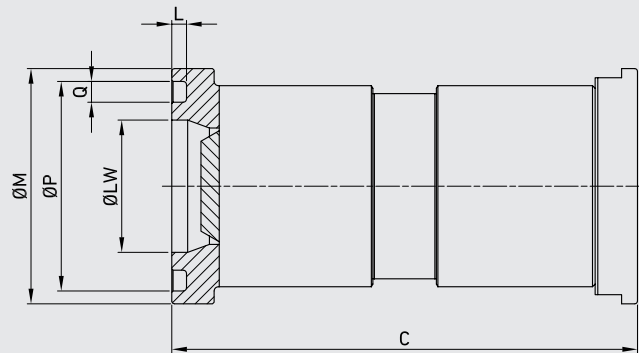
- CS carbon steel
- SS stainless steel

POS	DESCRIPTION	Q.TY	CS	SS
			Carbon Steel	Stainless Steel
			MATERIAL	
1	Body	1	1,0737	1,4404
2	Flange*	2*	1,0737	1,4404
3	Poppet	1	1,4749	1,4305
4	Ring	1	1,0737	1,4305
5	Spring	1	1,0116	1,4310

* Flanges to be considered only in VUF serie


VU SAE J518 S6000-F62

TYPE	DN	PN		A		C	ØG	X1	Y1	ØK1	ØLW	WEIGHT		CS	SS
		MPa	Psi	mm	inch							kg	lb	Carbon Steel	Stainless Steel
														ITEM CODE	
VUF 1/2 F62	13	MPa	42	mm	48	70	56	38,1	17,5	M8X1,25	13	kg	1,027	GC2FFC6G0110000	GC2FFC6G0440000
		Psi	6090	inch	1,89	2,76	2,20	1,50	0,69		5,42	lb	2,26		
VUF 3/4 F62	20	MPa	42	mm	60	77	72	50,8	23,8	M10X1,5	19	kg	1,419	GC2FFC7G0110000	GC2FFC7G0440000
		Psi	6090	inch	2,36	3,03	2,83	2,00	0,94		0,75	lb	3,13		
VUF 1 F62	25	MPa	42	mm	70	89	81	52,4	26,2	M10X1,5	25	kg	2,214	GC2FFC8G0110000	GC2FFC8G0440000
		Psi	6090	inch	2,76	3,50	3,19	2,06	1,03		0,98	lb	4,88		
VUF 1 1/4 F62	32	MPa	42	mm	78	115	105	58,7	30,2	M10X1,5	32	kg	4	GC2FFC9G0110000	GC2FFC9G0440000
		Psi	6090	inch	3,07	4,53	4,13	2,31	1,19		1,26	lb	8,82		
VUF 1 1/2 F62	40	MPa	42	mm	96	120	120	69,8	35,7	M12X1,75	38	kg	5,4	GC2FFCAG0110000	GC2FFCAG0440000
		Psi	6090	inch	3,78	4,72	4,72	2,75	1,41		1,50	lb	11,90		
VUF 2 F62	50	MPa	42	mm	145	170	145	96,78	44,49	M20X2,5	48	kg	9,9	GC2FFCBG0110000	GC2FFCBG0440000
		Psi	6090	inch	5,71	6,69	5,71	3,81	1,75		1,89	lb	19,84		


VU SAE J518 S3000-C61

TYPE	DN	PN		L		C	ØM	ØP	Q	ØLW	WEIGHT	CS	SS	
		MPa	Psi	mm	inch							Carbon Steel	Stainless Steel	
												ITEM CODE		
VUS 1/2 C61	13	MPa	42	mm	2,79	67	30,2	25,4	3,94	13	kg	0,18	GC2SSC0G0110000	GC2SSC0G0440000
		Psi	6090	inch	0,11	2,64	1,19	1,00	0,16	5,42	lb	0,40		
VUS 3/4 C61	20	MPa	42	mm	2,79	80	38,1	31,75	3,94	19	kg	0,885	GC2SSC1G0110000	GC2SSC1G0440000
		Psi	6090	inch	0,11	3,15	1,50	1,25	0,16	0,75	lb	1,95		
VUS 1 C61	25	MPa	42	mm	2,79	88	44,15	39,62	3,94	25	kg	1	GC2SSC2G0110000	GC2SSC2G0440000
		Psi	6090	inch	0,11	3,46	1,74	1,56	0,16	0,98	lb	2,20		
VUS 1 1/4 C61	32	MPa	42	mm	2,79	96	50,8	44,45	3,94	31	kg	1,1	GC2SSC3G0110000	GC2SSC3G0440000
		Psi	6090	inch	0,11	3,78	2,00	1,75	0,16	1,22	lb	2,43		
VUS 1 1/2 C61	40	MPa	42	mm	2,79	125	60,33	53,72	3,94	37	kg	1,2	GC2SSC4G0110000	GC2SSC4G0440000
		Psi	6090	inch	0,11	4,92	2,38	2,11	0,16	1,46	lb	2,65		
VUS 2 C61	50	MPa	42	mm	2,79	146	71,42	63,25	3,94	47	kg	2,3	GC2SSC5G0110000	GC2SSC5G0440000
		Psi	6090	inch	0,11	5,75	2,81	2,49	0,16	1,85	lb	5,07		

VU SAE J518 S6000-C62

TYPE	DN	PN		L		C	ØM	ØP	Q	ØLW	WEIGHT	CS	SS	
		MPa	Psi	mm	inch							Carbon Steel	Stainless Steel	
												ITEM CODE		
VUS 1/2 C62	13	MPa	42	mm	2,79	67	31,75	25,4	3,94	13	kg	0,239	GC2SSC6G0110000	GC2SSC6G0440000
		Psi	6090	inch	0,11	2,64	1,25	1,00	0,16	5,42	lb	0,53		
VUS 3/4 C62	20	MPa	42	mm	2,79	80	41,3	31,75	3,94	19	kg	0,54	GC2SSC7G0110000	GC2SSC7G0440000
		Psi	6090	inch	0,11	3,15	1,63	1,25	0,16	0,75	lb	1,19		
VUS 1 C62	25	MPa	42	mm	2,79	90	47,63	39,62	3,94	25	kg	0,6	GC2SSC8G0110000	GC2SSC8G0440000
		Psi	6090	inch	0,11	3,54	1,88	1,56	0,16	0,98	lb	1,32		
VUS 1 1/4 C61	32	MPa	42	mm	2,79	99	54	44,45	3,94	31	kg	0,9	GC2SSC9G0110000	GC2SSC9G0440000
		Psi	6090	inch	0,11	3,90	2,13	1,75	0,16	1,22	lb	1,98		
VUS 1 1/2 C61	40	MPa	42	mm	2,79	130	63,5	53,72	3,94	37	kg	1,5	GC2SSCAG0110000	GC2SSCAG0440000
		Psi	6090	inch	0,11	5,12	2,50	2,11	0,16	1,46	lb	3,30		
VUS 2 C61	50	MPa	42	mm	2,79	150,6	79,4	63,25	3,94	47	kg	3,15	GC2SSCBG0110000	GC2SSCBG0440000
		Psi	6090	inch	0,11	5,93	3,13	2,49	0,16	1,85	lb	6,94		