



GSJ

SWIVEL JOINTS

Edition. 21.1

CS Carbon Steel

- Type: swivel joint in line
- Sizes: from DN6 up to DN32
- Ends: BSP- NPT- SAE (on request)
- Pressure: up to PN420
- Temp range: from -40°C to +100°C
- Treatment: Zinc-Nickel



CODE DESCRIPTION STRUCTURE

GSJ | **LINE** | **G1/2** | **CS**

Type and way of valve

GSJ swivel joint

In line
90° (on request)

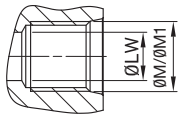
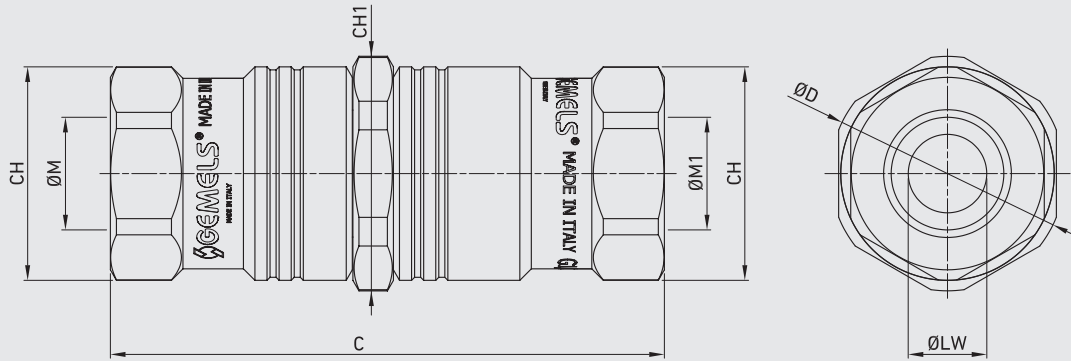
Ends

GAS	ISO	ANSI/ASME	SAE
DIN/ISO	8434-6	B1.20.1	J1926-1
228 BSP	BSPP	NPT	
G 1/4	G 1/4	N 1/4	SAE4
G 3/8	G 3/8	N 3/8	SAE6
G 1/2	G 1/2	N 1/2	SAE8
G 3/4	G 3/4	N 3/4	SAE12
G 1	G 1	N 1	SAE16
G 1 1/4	G 1 1/4	N 1 1/4	SAE20

Material

- CS carbon steel



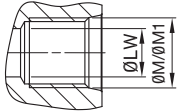


GSJ - IN LINE ISO 1179-1 BSPP

FEMALE X FEMALE

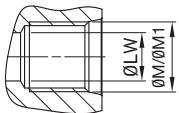
CS
Carbon Steel

TYPE	DN	MAX WORKING PRESSURE		ØM	ØM1	C	ØD	ØLW	CH	CH1	WEIGHT		ITEM CODE	
GSJ IN LINE G1/4	6	MPa	42	G 1/4	G 1/4	mm	84	31	6	24	28	kg	0,39	NSJ3G010000
		Psi	6090			inch	3,31	1,22	0,24	0,94	1,10	lb	0,86	
GSJ IN LINE G3/8	10	MPa	42	G 3/8	G 3/8	mm	85	38	10	30	34	kg	0,45	NSJ3G020000
		Psi	6090			inch	3,35	1,50	0,39	1,18	1,34	lb	0,99	
GSJ IN LINE G1/2	13	MPa	42	G 1/2	G 1/2	mm	88,5	39	13	32	36	kg	0,51	NSJ3G030000
		Psi	6090			inch	3,48	1,54	0,51	1,26	1,42	lb	1,12	
GSJ IN LINE G3/4	20	MPa	42	G 3/4	G 3/4	mm	100	46	17	36	41	kg	0,85	NSJ3G040000
		Psi	6090			inch	3,94	1,81	0,67	1,42	1,61	lb	1,87	
GSJ IN LINE G1	25	MPa	42	G 1	G 1	mm	108	47,5	22	41	45	kg	0,9	NSJ3G050000
		Psi	6090			inch	4,25	1,87	0,87	1,61	1,77	lb	1,98	
GSJ IN LINE G1 1/4	32	MPa	42	G 1 1/4	G 1 1/4	mm	120	58	26	50	55	kg	1,24	NSJ3G060000
		Psi	6090			inch	4,72	2,28	1,02	1,97	2,17	lb	2,73	


GSJ - IN LINE ANSI/ASME B1.20.1 NPT

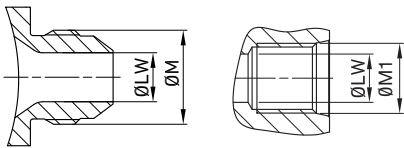
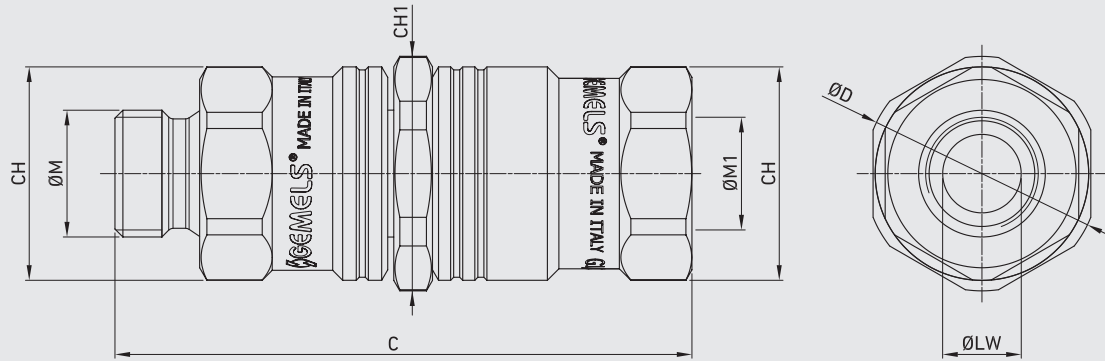
FEMALE X FEMALE

TYPE	DN	MAX WORKING PRESSURE	ØM	ØM1	C	ØD	ØLW	CH	CH1	WEIGHT	ITEM CODE
GSJ IN LINE N1/4	6	MPa 42	N 1/4	N 1/4	mm 85	31	6	24	28	kg 0,39	NSJ3N010000
		Psi 6090			inch 3,35	1,22	0,24	0,94	1,10	lb 0,86	
GSJ IN LINE N3/8	10	MPa 42	N 3/8	N 3/8	mm 85	38	10	30	34	kg 0,45	NSJ3N020000
		Psi 6090			inch 3,35	1,50	0,39	1,18	1,34	lb 0,99	
GSJ IN LINE N1/2	13	MPa 42	N 1/2	N 1/2	mm 93	39	13	32	36	kg 0,51	NSJ3N030000
		Psi 6090			inch 3,66	1,54	0,51	1,26	1,42	lb 1,12	
GSJ IN LINE N3/4	20	MPa 42	N 3/4	N 3/4	mm 97	46	17	36	41	kg 0,85	NSJ3N040000
		Psi 6090			inch 3,82	1,81	0,67	1,42	1,61	lb 1,87	
GSJ IN LINE N1	25	MPa 42	N 1	N 1	mm 104	47,5	22	41	45	kg 0,9	NSJ3N050000
		Psi 6090			inch 4,09	1,87	0,87	m	1,77	lb 1,98	
GSJ IN LINE N1 1/4	32	MPa 42	N 1 1/4	N 1 1/4	mm 112	58	26	50	55	kg 1,24	NSJ3N060000
		Psi 6090			inch 4,41	2,28	1,02	1,97	2,17	lb 2,73	


GSJ- IN LINE SAE J1926-1

FEMALE X FEMALE

TYPE	DN	MAX WORKING PRESSURE	ØM	ØM1	C	ØD	ØLW	CH	CH1	WEIGHT	ITEM CODE
GSJ IN LINE SAE4	6	MPa 42	SAE4	SAE4	mm 84	31	6	24	28	kg 0,39	NSJ3S010000
		Psi 6090			inch 3,31	1,22	0,24	0,94	1,10	lb 0,86	
GSJ IN LINE SAE6	10	MPa 42	SAE6	SAE6	mm 85	38	10	30	34	kg 0,45	NSJ3S020000
		Psi 6090			inch 3,35	1,50	0,39	1,18	1,34	lb 0,99	
GSJ IN LINE SAE8	13	MPa 42	SAE8	SAE8	mm 88,5	39	13	32	36	kg 0,51	NSJ3S030000
		Psi 6090			inch 3,48	1,54	0,51	1,26	1,42	lb 1,12	
GSJ IN LINE SAE12	20	MPa 42	SAE12	SAE12	mm 105	46	17	36	41	kg 0,85	NSJ3S040000
		Psi 6090			inch 4,13	1,81	0,67	1,42	1,61	lb 1,87	
GSJ IN LINE SAE16	25	MPa 42	SAE16	SAE16	mm 106	47,5	22	41	45	kg 0,9	NSJ3S050000
		Psi 6090			inch 4,17	1,87	0,87	1,61	1,77	lb 1,98	
GSJ IN LINE SAE20	32	MPa 42	SAE20	SAE20	mm 120	58	26	50	55	kg 1,24	NSJ3S060000
		Psi 6090			inch 4,72	2,28	1,02	1,97	2,17	lb 2,73	

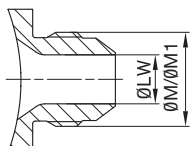
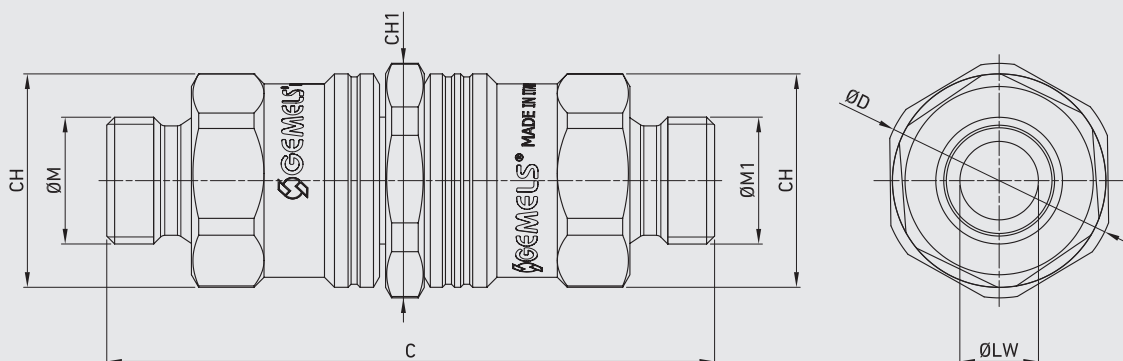


GSJ - IN LINE ISO 8434-6 and ISO 1179-1 BSPP

MALE X FEMALE

CS
Carbon Steel

TYPE	DN	MAX WORKING PRESSURE		ØM	ØM1	C	ØD	ØLW	CH	CH1	WEIGHT		ITEM CODE	
GSJ IN LINE G1/4	6	MPa	42	G 1/4	G 1/4	mm	86,5	31	6	24	28	kg	0,39	NSJ3C010000
		Psi	6090			inch	3,41	1,22	0,24	0,94	1,10	lb	0,86	
GSJ IN LINE G3/8	10	MPa	42	G 3/8	G 3/8	mm	88	38	10	30	34	kg	0,45	NSJ3C020000
		Psi	6090			inch	3,46	1,50	0,39	1,18	1,34	lb	0,99	
GSJ IN LINE G1/2	13	MPa	42	G 1/2	G 1/2	mm	95,5	39	13	32	36	kg	0,51	NSJ3C030000
		Psi	6090			inch	3,76	1,54	0,51	1,26	1,42	lb	1,12	
GSJ IN LINE G3/4	20	MPa	42	G 3/4	G 3/4	mm	102	46	17	36	41	kg	0,85	NSJ3C040000
		Psi	6090			inch	4,02	1,81	0,67	1,42	1,61	lb	1,87	
GSJ IN LINE G1	25	MPa	42	G 1	G 1	mm	109,5	47,5	22	41	45	kg	0,9	NSJ3C050000
		Psi	6090			inch	4,31	1,87	0,87	1,61	1,77	lb	1,98	
GSJ IN LINE G1 1/4	32	MPa	42	G 1 1/4	G 1 1/4	mm	120	58	26	50	55	kg	1,24	NSJ3C060000
		Psi	6090			inch	4,72	2,28	1,02	1,97	2,17	lb	2,73	



GSJ - IN LINE ISO 8434-6

MALE X MALE

TYPE	DN	MAX WORKING PRESSURE		ØM	ØM1	C	ØD	ØLW	CH	CH1	WEIGHT		ITEM CODE	
GSJ IN LINE G1/4	6	MPa	42	G 1/4	G 1/4	mm	90	31	6	24	28	kg	0,39	NSJ3E010000
		Psi	6090			inch	3,54	1,22	0,24	0,94	1,10	lb	0,86	
GSJ IN LINE G3/8	10	MPa	42	G 3/8	G 3/8	mm	91	38	10	30	34	kg	0,45	NSJ3E020000
		Psi	6090			inch	3,58	1,50	0,39	1,18	1,34	lb	0,99	
GSJ IN LINE G1/2	13	MPa	42	G 1/2	G 1/2	mm	100,5	39	13	32	36	kg	0,51	NSJ3E030000
		Psi	6090			inch	3,96	1,54	0,51	1,26	1,42	lb	1,12	
GSJ IN LINE G3/4	20	MPa	42	G 3/4	G 3/4	mm	104	46	17	36	41	kg	0,85	NSJ3E040000
		Psi	6090			inch	4,09	1,81	0,67	1,42	1,61	lb	1,87	
GSJ IN LINE G1	25	MPa	42	G 1	G 1	mm	112	47,5	22	41	45	kg	0,9	NSJ3E050000
		Psi	6090			inch	4,41	1,87	0,87	1,61	1,77	lb	1,98	
GSJ IN LINE G1 1/4	32	MPa	42	G 1 1/4	G 1 1/4	mm	120	58	26	50	55	kg	1,24	NSJ3E060000
		Psi	6090			inch	4,72	2,28	1,02	1,97	2,17	lb	2,73	