



# GUS

## QUICK COUPLINGS GUS - US MARKET

Available other different threads on request

Edition. 21.0

### CS Carbon Steel

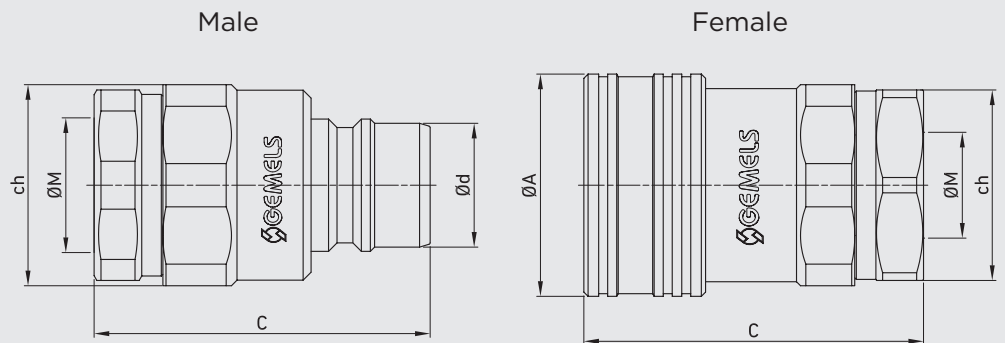
- Type: Quick Couplings
- Models: GUS - US MARKET
- Sizes: from DN6 to DN40
- Pressure: up to PN270
- Treatment: Galvanized

### SS Stainless Steel

- Type: Quick Couplings
- Models: GUS - US MARKET
- Sizes: from DN6 to DN40
- Pressure: up to PN270

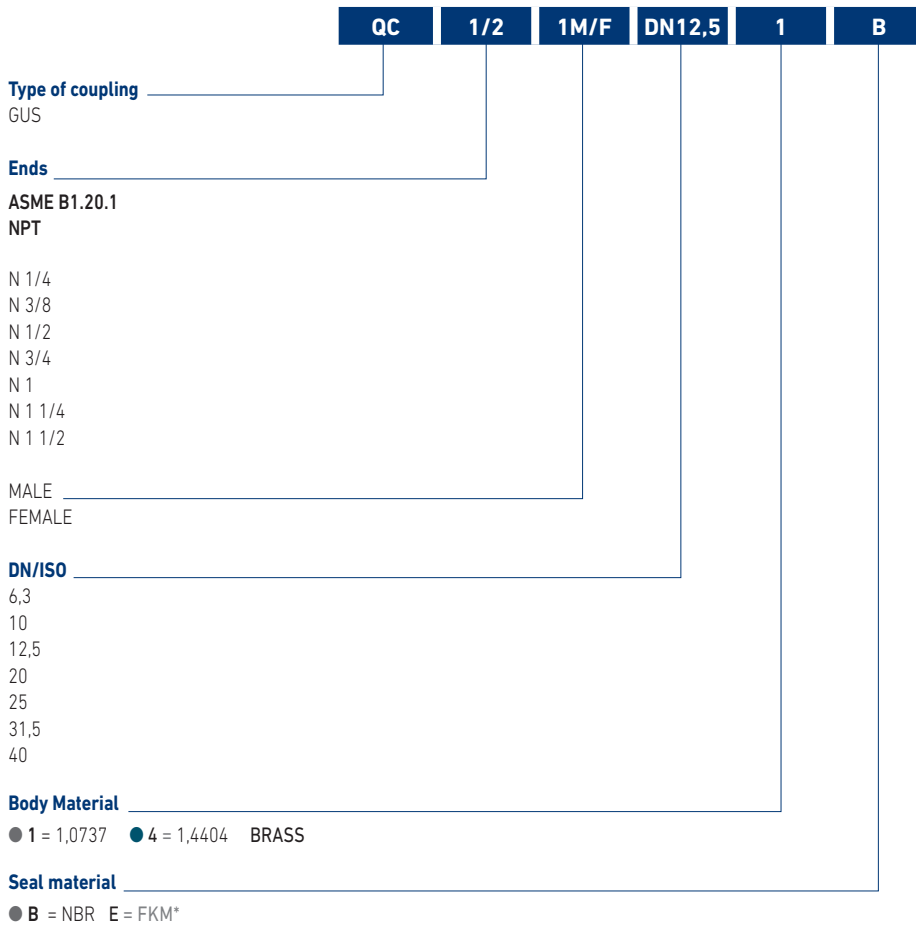
### B Brass

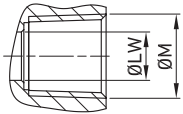
- Type: Quick Couplings
- Models: GUS - US MARKET
- Sizes: from DN6 to DN40
- Pressure: up to PN140





### CODE DESCRIPTION STRUCTURE





**QUICK COUPLINGS GUS US MARKET (male / female)  
FEMALE THREAD ASME B1.20.1 NPT WITH POPPET**

										CS Carbon Steel											SS Stainless Steel
TYPE	DN	PN	ØA	C	Ød	ch	ØM	WEIGHT	ITEM CODE	TYPE	DN	PN	ØA	C	Ød	ch	ØM	WEIGHT	ITEM CODE		
QC GUS N 1/4 MALE	6,3	MPa 27	mm -	49	10,8	22	N1/4	kg 0,08	NC37N010000	QC GUS N 1/4 MALE	6,3	MPa 27	mm -	49	10,8	22	N1/4	kg 0,08	NC37N01S000		
		Psi 3915	inch -	1,93	0,43	0,87		Psi 3915				inch -	1,93	0,43	0,87	Psi 3915		inch -		1,93	0,43
QC GUS N 1/4 FEMALE	6,3	MPa 27	mm 24	49,8	-	22	N1/4	kg 0,1	NC38N010000	QC GUS N 1/4 FEMALE	6,3	MPa 27	mm 24	49,8	-	22	N1/4	kg 0,1	NC38N01S000		
		Psi 3915	inch 0,94	1,96	-	0,87		Psi 3915				inch 0,94	1,96	-	0,87	Psi 3915		inch 0,94		1,96	-
QC GUS N 3/8 MALE	10	MPa 30	mm -	57,3	13	24	N3/8	kg 0,1	NC37N020000	QC GUS N 3/8 MALE	10	MPa 30	mm -	57,3	13	24	N3/8	kg 0,1	NC37N02S000		
		Psi 4350	inch -	2,26	0,51	0,94		Psi 4350				inch -	2,26	0,51	0,94	Psi 4350		inch -		2,26	0,51
QC GUS N 3/8 FEMALE	10	MPa 30	mm 27	57,3	-	24	N3/8	kg 0,14	NC38N020000	QC GUS N 3/8 FEMALE	10	MPa 30	mm 27	57,3	-	24	N3/8	kg 0,14	NC38N02S000		
		Psi 4350	inch 1,06	2,26	-	0,94		Psi 4350				inch 1,06	2,26	-	0,94	Psi 4350		inch 1,06		2,26	-
QC ISO A N 1/2 MALE	12,5	MPa 22	mm -	62,3	16	30	N1/2	kg 0,17	NC37N030000	QC ISO A N 1/2 MALE	12,5	MPa 22	mm -	62,3	16	30	N1/2	kg 0,17	NC37N03S000		
		Psi 3190	inch -	2,45	0,63	1,18		Psi 3190				inch -	2,45	0,63	1,18	Psi 3190		inch -		2,45	0,63
QC GUS N 1/2 FEMALE	12,5	MPa 22	mm 34	64,4	-	30	N1/2	kg 0,23	NC38N030000	QC GUS N 1/2 FEMALE	12,5	MPa 22	mm 34	64,4	-	30	N1/2	kg 0,23	NC38N03S000		
		Psi 3190	inch 1,34	2,54	-	1,18		Psi 3190				inch 1,34	2,54	-	1,18	Psi 3190		inch 1,34		2,54	-
QC GUS N 3/4 MALE	20	MPa 19	mm -	63,5	23,4	36	N3/4	kg 0,24	NC37N040000	QC GUS N 3/4 MALE	20	MPa 19	mm -	63,5	23,4	36	N3/4	kg 0,24	NC37N04S000		
		Psi 2755	inch -	2,50	0,92	1,42		Psi 2755				inch -	2,50	0,92	1,42	Psi 2755		inch -		2,50	0,92
QC GUS N 3/4 FEMALE	20	MPa 19	mm 42	64,2	-	36	N3/4	kg 0,35	NC38N040000	QC GUS N 3/4 FEMALE	20	MPa 19	mm 42	64,2	-	36	N3/4	kg 0,35	NC38N04S000		
		Psi 2755	inch 1,65	2,53	-	1,42		Psi 2755				inch 1,65	2,53	-	1,42	Psi 2755		inch 1,65		2,53	-
QC GUS N 1 MALE	25	MPa 15	mm -	68,4	29,5	46	N1	kg 0,4	NC37N050000	QC GUS N 1 MALE	25	MPa 15	mm -	68,4	29,5	46	N1	kg 0,4	NC37N05S000		
		Psi 2175	inch -	2,69	1,16	1,81		Psi 2175				inch -	2,69	1,16	1,81	Psi 2175		inch -		2,69	1,16
QC GUS N 1 FEMALE	25	MPa 15	mm 50,5	71	-	46	N1	kg 0,55	NC38N050000	QC GUS N 1 FEMALE	25	MPa 15	mm 50,5	71	-	46	N1	kg 0,55	NC38N05S000		
		Psi 2175	inch 1,99	2,80	-	1,81		Psi 2175				inch 1,99	2,80	-	1,81	Psi 2175		inch 1,99		2,80	-
QC ISO A N 1 1/4 MALE	31,5	MPa 11	mm -	91	36,1	50	N1 1/4	kg 0,6	NC37N060000	QC ISO A N 1 1/4 MALE	31,5	MPa 11	mm -	91	36,1	50	N1 1/4	kg 0,6	NC37N06S000		
		Psi 1595	inch -	3,58	1,42	1,97		Psi 1595				inch -	3,58	1,42	1,97	Psi 1595		inch -		3,58	1,42
QC GUS N 1 1/4 FEMALE	31,5	MPa 11	mm 56	96,5	-	50	N1 1/4	kg 0,8	NC38N060000	QC GUS N 1 1/4 FEMALE	31,5	MPa 11	mm 56	96,5	-	50	N1 1/4	kg 0,8	NC38N06S000		
		Psi 1595	inch 2,20	3,80	-	1,97		Psi 1595				inch 2,20	3,80	-	1,97	Psi 1595		inch 2,20		3,80	-
QC GUS N 1 1/2 MALE	40	MPa 11	mm -	85	43,6	65	N1 1/2	kg 1	NC37N070000	QC GUS N 1 1/2 MALE	40	MPa 11	mm -	85	43,6	65	N1 1/2	kg 1	NC37N07S000		
		Psi 1595	inch -	3,35	1,72	2,56		Psi 1595				inch -	3,35	1,72	2,56	Psi 1595		inch -		3,35	1,72
QC GUS N 1 1/2 FEMALE	40	MPa 11	mm 70	90,2	-	65	N1 1/2	kg 1,3	NC38N070000	QC GUS N 1 1/2 FEMALE	40	MPa 11	mm 70	90,2	-	65	N1 1/2	kg 1,3	NC38N07S000		
		Psi 1595	inch 2,76	3,55	-	2,56		Psi 1595				inch 2,76	3,55	-	2,56	Psi 1595		inch 2,76		3,55	-

Brass

TYPE	DN	PN	ØA	C	Ød	ch	ØM	WEIGHT	ITEM CODE
QC GUS N 1/4 MALE	6,3	MPa 14	mm -	49	10,8	22	N1/4	kg 0,08	NC37N01B000
		Psi 2030	inch -	1,93	0,43	0,87		lb 0,18	
QC GUS N 1/4 FEMALE	6,3	MPa 14	mm 24	49,8	-	22	N1/4	kg 0,1	NC38N01B000
		Psi 2030	inch 0,94	1,96	-	0,87		lb 0,22	
QC GUS N 3/8 MALE	10	MPa 15	mm -	57,3	13	24	N3/8	kg 0,1	NC37N02B000
		Psi 2175	inch -	2,26	0,51	0,94		lb 0,22	
QC GUS N 3/8 FEMALE	10	MPa 15	mm 27	57,3	-	24	N3/8	kg 0,14	NC38N02B000
		Psi 2175	inch 1,06	2,26	-	0,94		lb 0,31	
QC ISO A N 1/2 MALE	12,5	MPa 10	mm -	62,3	16	30	N1/2	kg 0,17	NC37N03B000
		Psi 1450	inch -	2,45	0,63	1,18		lb 0,37	
QC GUS N 1/2 FEMALE	12,5	MPa 10	mm 34	64,4	-	30	N1/2	kg 0,23	NC38N03B000
		Psi 1450	inch 1,34	2,54	-	1,18		lb 0,51	
QC GUS N 3/4 MALE	20	MPa 9,5	mm -	63,5	23,4	36	N3/4	kg 0,24	NC37N04B000
		Psi 1378	inch -	2,50	0,92	1,42		lb 0,53	
QC GUS N 3/4 FEMALE	20	MPa 9,5	mm 42	64,2	-	36	N3/4	kg 0,35	NC38N04B000
		Psi 1378	inch 1,65	2,53	-	1,42		lb 0,77	
QC GUS N 1 MALE	25	MPa 7,5	mm -	68,4	29,5	46	N 1	kg 0,4	NC37N05B000
		Psi 1088	inch -	2,69	1,16	1,81		lb 0,88	
QC GUS N 1 FEMALE	25	MPa 7,5	mm 50,5	71	-	46	N 1	kg 0,55	NC38N05B000
		Psi 1088	inch 1,99	2,80	-	1,81		lb 1,21	
QC ISO A N 1 1/4 MALE	31,5	MPa 5	mm -	91	36,1	50	N1 1/4	kg 0,6	NC37N06B000
		Psi 725	inch -	3,58	1,42	1,97		lb 1,32	
QC GUS N 1 1/4 FEMALE	31,5	MPa 5	mm 56	96,5	-	50	N1 1/4	kg 0,8	NC38N06B000
		Psi 725	inch 2,20	3,80	-	1,97		lb 1,76	
QC GUS N 1 1/2 MALE	40	MPa 5,5	mm -	85	43,6	65	N1 1/2	kg 1	NC37N07B000
		Psi 798	inch -	3,35	1,72	2,56		lb 2,20	
QC GUS N 1 1/2 FEMALE	40	MPa 5,5	mm 70	90,2	-	65	N1 1/2	kg 1,3	NC38N07B000
		Psi 798	inch 2,76	3,55	-	2,56		lb 2,87	