



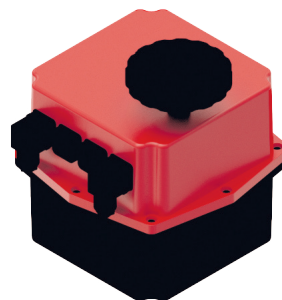
# ACTUATORS

Edition. 21.4

## ELECTRIC



**J4C ELECTRIC  
ACTUATOR from  
DN6 up to DN25**

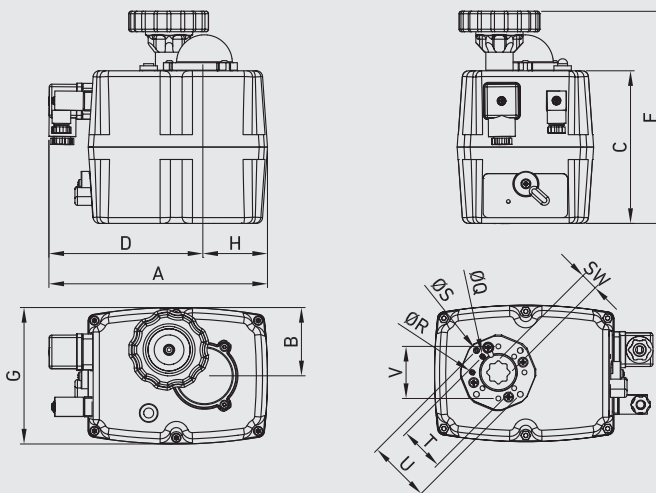


**J4C ELECTRIC  
ACTUATOR from  
DN32 up to DN50**



**J4C ELECTRIC ACTUATOR (from DN6 up to DN13)**

- Housing: Anticorrosive polyamide (lid & body)
- Main external shaft: Anticorrosive polyamide
- External screws: stainless steel
- Gears: steel and polyamide
- Visual position indicator: Polyamide
- Dome: Polycarbonate
- Adjustable internal cams: Polyamide
- Electric motor: 24VDS Brushless motor
- Insulation: Class B



**OPTIONS**

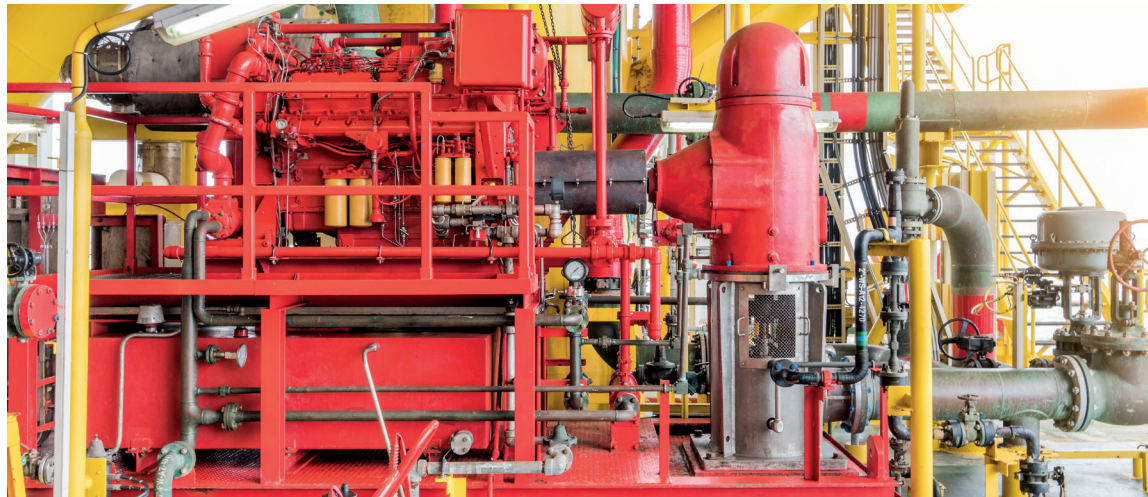
- J4C S20/S85 DPS 2015 digital positioner: 4-20mA, 0-20mA, 0-10V or 1-10V.
- J4C S20/S85 BSR 2015 emergency fail safe kit system by battery
- Digital potentiometer: 1K, 5K or 10K.
- 3 position actuator: 0o-45o-90o or 0o-90o-180° (only for J4C-S35)

TYPE	BALL VALVES	DN
J4C-20	GE-GHP-GN	06-10
J4C-35	GE-GHP-GN-GR-SB	13

## VALVE WITH ELECTRICAL ACTUATORS

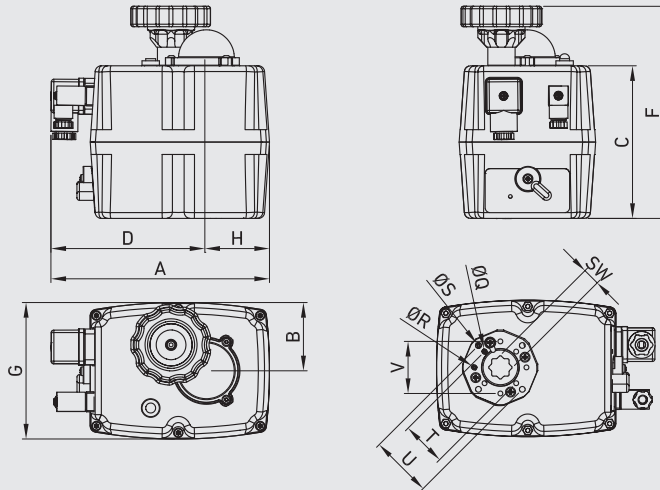
TYPE	VOLTAGE	ISO5211	A	B	C	D	F	G	H	ØQ	ØR	ØS	T	U	V	SW	WEIGHT	ITEM CODE		
J4C-S20	24 to 240 VAC/VDC	F03-F04-F05	mm	181	55	123	130	169	110	51	M5	M5	M6	36	50	42	9 or 11 or 14	kg	1,8	FAEJ3H2025HH
			inch	7,13	2,17	4,84	5,12	6,65	4,33	2,01				1,42	1,97	1,65		lb	3,97	
J4C-B20	12 VAC/VDC	F03-F04-F05	mm	181	55	123	130	169	110	51	M5	M5	M6	36	50	42	9 or 11 or 14	kg	1,8	FAEJ3L2025HH
			inch	7,13	2,17	4,84	5,12	6,65	4,33	2,01				1,42	1,97	1,65		lb	3,97	
J4C-S35	24 to 240 VAC/VDC	F03-F04-F05	mm	181	55	123	130	169	110	51	M5	M5	M6	36	50	42	9 or 11 or 14	kg	1,9	FAEJ3H3540HH
			inch	7,13	2,17	4,84	5,12	6,65	4,33	2,01				1,42	1,97	1,65		lb	4,19	
J4C-B35	12 VAC/VDC	F03-F04-F05	mm	181	55	123	130	169	110	51	M5	M5	M6	36	50	42	9 or 11 or 14	kg	1,9	FAEJ3L3540HH
			inch	7,13	2,17	4,84	5,12	6,65	4,33	2,01				1,42	1,97	1,65		lb	4,19	

		J4C-S20	J4C-S35
Voltage		24 a to 240 VAC/VDC -0/+5% 12 VDC/VAC 0/+5% Change the power supply PCB	24 a to 240 VAC/VDC -0/+5% 12 VDC/VAC 0/+5% Change the power supply PCB
Operation time unload		10 Sec./90°	10 Sec./90°
Maximum torque break	Nm	25	38
	lbf-ft	18,44	28,03
Maximum operational torque	Nm	20	35
	lbf-ft	14,75	25,81
Duty rating %		75,00%	75,00%
Working angle		0° TO 270°	0° TO 270°
Limit switch		4 SPDT NO micro (2 motor stop and 2 confirmations)	4 SPDT NO micro (2 motor stop and 2 confirmations)
Heater		3,5W	3,5W
Big Plugs		EN175301-803 FORM A	EN175301-803 FORM A
Small Plug		DIN43650/C	DIN43650/C
IP rating		IP-67	IP-67
Temperature	C°	-20°+70°	-20°+70°
	F°	-4° + 158°	-4° + 158°
Weight	kg	1,8	1,9
	lbs	3,97	4,19



**J4C ELECTRIC ACTUATOR (from DN20 up to DN25)**

- Housing: Anticorrosive polyamide (lid & body)
- Main external shaft: stainless steel
- External screws: stainless steel
- Gears: Steel and polyamide
- Visual position indicator: Polyamide
- Dome: Polycarbonate
- Adjustable internal cams: Polyamide
- Electric motor: 24VDS Brushless motor
- Insulation: Class B



**OPTIONS**

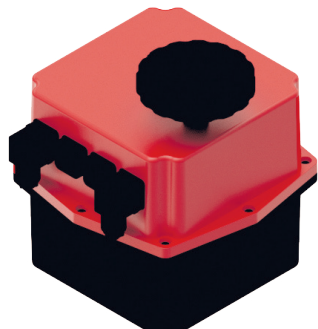
- J4C S20/S85 DPS 2015 digital positioner: 4-20mA, 0-20mA, 0-10V or 1-10V.
- J4C S20/S85 BSR 2015 emergency fail safe kit system by battery
- Digital potentiometer: 1K, 5K or 10K.
- 3 position actuator: 0o-45o-90o or 0o-90o-180°

TYPE	BALL VALVES	DN
J4C-55	GE-GHP-GN-GR-SB	20
J4C-85	GE-GHP-GN-GR-SB	25

## VALVE WITH ELECTRICAL ACTUATORS

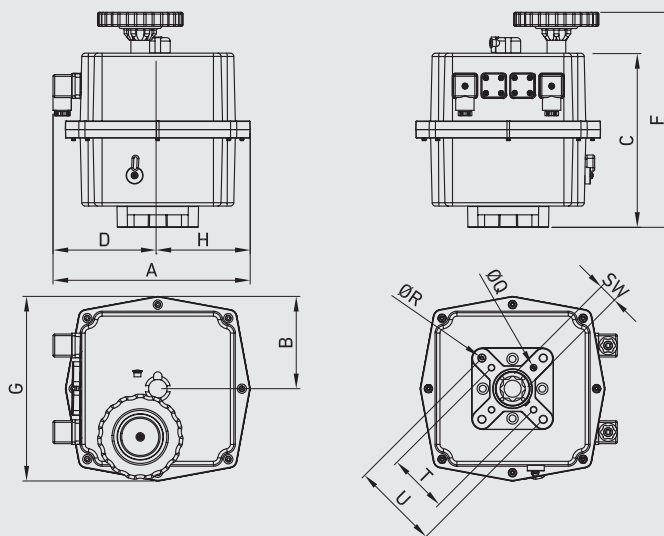
TYPE	VOLTAGE	ISO5211	A	B	C	D	F	G	H	ØQ	ØR	ØS	T	U	V	SW	WEIGHT	ITEM CODE		
J4C-S55	24 to 240 VAC/VDC	F05-F07	mm	181	55	148	130	196	110	51	M6	M8	-	50	70	-	11 or 14 or 17	kg	2,4	FAEJ3H5560HH
			inch	7,13	2,17	5,83	5,12	7,72	4,33	2,01				1,97	2,76			2,76	5,29	
J4C-B55	12 VAC/VDC	F05-F07	mm	181	55	148	130	196	110	51	M6	M8	-	50	70	-	11 or 14 or 17	kg	2,4	FAEJ3L5560HH
			inch	7,13	2,17	5,83	5,12	7,72	4,33	2,01				1,97	2,76			2,76	5,29	
J4C-S85	24 to 240 VAC/VDC	F05-F07	mm	181	55	148	130	196	110	51	M6	M8	-	50	70	-	11 or 14 or 17	kg	3	FAEJ3H8590HH
			inch	7,13	2,17	5,83	5,12	7,72	4,33	2,01				1,97	2,76			2,76	6,61	
J4C-B85	12 VAC/VDC	F05-F07	mm	181	55	148	130	196	110	51	M6	M8	-	50	70	-	11 or 14 or 17	kg	3	FAEJ3L8590HH
			inch	7,13	2,17	5,83	5,12	7,72	4,33	2,01				1,97	2,76			2,76	6,61	

		J4C-S55	J4C-S85
Voltage		24 a to 240 VAC/VDC -0/+5% 12 VDC/VAC 0/+5%	24 a to 240 VAC/VDC -0/+5% 12 VDC/VAC 0/+5%
Operation time unload		13sec/90°	29sec/90°
Maximum torque break	Nm	60	90
	lbf-ft	44,25	66,38
Maximum operational torque	Nm	55	85
	lbf-ft	40,57	62,69
Duty rating %		75,00%	75,00%
Working angle		0° TO 270°	0° TO 270°
Limit switch		4 SPDT NO micro (2 motor stop and 2 confirmations)	4 SPDT NO micro (2 motor stop and 2 confirmations)
Heater		3,5W	3,5W
Big Plugs		EN175301-803 FORM A	EN175301-803 FORM A
Small Plug		DIN43650/C	DIN43650/C
IP rating		IP-67	IP-67
Temperature	C°	-20°+70°	-20°+70°
	F°	-4° + 158°	-4° + 158°
Weight	kg	2,4	3
	lbs	5,29	6,61



**J4C ELECTRIC ACTUATOR (from DN32 up to DN50)**

- Housing:  
Body and cover: anticorrosive polyamide  
Main external shaft: stainless steel
- Fastening: stainless steel
- Gears: steel and polyamide
- Indicator: polyamide + glass filled
- Internal cams: polyamide + glass filled
- Electric motor: 24VDS Brushless motor
- Insulation: class B
- Service S4
- Duty range: 75%



**OPTIONS**

- DPS2005 digital positioner: 0÷20mA, 4÷20mA o 0÷10V
- Digital potentiometer kit: 1K, 5K and 10K
- BSR battery fail safe kit
- 3 positions: 0° 45° 90° / 0° 90° 180°

TYPE	BALL VALVES	DN
J4-140	GB-GHP-GN-GR-SB	32-40
J4-300	GB-GHP-GN-GR-SB	50

## VALVE WITH ELECTRICAL ACTUATORS

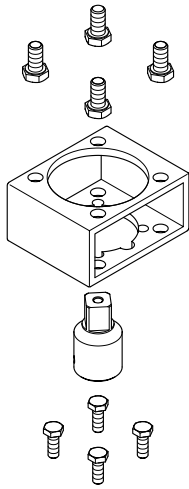
TYPE	VOLTAGE	ISO5211	A	B	C	D	F	G	H	ØQ	ØR	ØS	T	U	V	SW	WEIGHT	ITEM CODE	
J4C-S140	24 to 240 VAC/VDC	F07-F10	mm	235	107	205	128	254	214	107	M6	M8	-	70	102	-	17 or 22	kg 5,2	FAEJ3H140170HH
			inch	9,25	4,21	8,07	5,04	10,00	8,43	4,21				2,76	4,02			lb 11,46	
J4C-B140	12 VAC/VDC	F07-F10	mm	235	107	205	128	254	214	107	M6	M8	-	70	102	-	17 or 22	kg 5,2	FAEJ3L140170HH
			inch	9,25	4,21	8,07	5,04	10,00	8,43	4,21				2,76	4,02			lb 11,46	
J4C-S300	24 to 240 VAC/VDC	F07-F10	mm	235	107	205	128	254	214	107	M6	M8	-	70	102	-	17 or 22	kg 5,2	FAEJ3H300350HH
			inch	9,25	4,21	8,07	5,04	10,00	8,43	4,21				2,76	4,02			lb 11,46	
J4C-B300	12 VAC/VDC	F07-F10	mm	235	107	205	128	254	214	107	M6	M8	-	70	102	-	17 or 22	kg 5,2	FAEJ3L300350HH
			inch	9,25	4,21	8,07	5,04	10,00	8,43	4,21				2,76	4,02			lb 11,46	

		J4C-S140	J4C-S300
Voltage		24 a to 240 VAC/VDC -0/+5% 12 VDC/VAC 0/+5%	24 a to 240 VAC/VDC -0/+5% 12 VDC/VAC 0/+5%
Operation time unload		25sec/90°	48sec/90°
Maximum torque break	Nm	170	350
	lbf-ft	125,39	258,15
Maximum operational torque	Nm	140	300
	lbf-ft	103,26	221,27
Duty rating %		75,00%	75,00%
Working angle		0° TO 270°	0° TO 270°
Limit switch		4 SPDT NO micro (2 motor stop and 2 confirmations)	4 SPDT NO micro (2 motor stop and 2 confirmations)
Heater		3,5W	3,5W
Big Plugs		EN175301-803 FORM A	EN175301-803 FORM A
Small Plug		DIN43650/C	DIN43650/C
IP rating		IP-67	IP-67
Temperature	C°	-20°+70°	-20°+70°
	F°	-4° + 158°	-4° + 158°
Weight	kg	5,2	5,2
	lbs	11,46	11,46

**ACTUATORS KITS**

KIT WASHER  
ONLY FOR GN-GB VALVES

KIT ACTUATOR  
C0034406H FROM DN6 TO DN32  
C0034306H FOR DN40-DN50



TYPE	BALL VALVES	DN	MATERIAL	ISO5211	WEIGHT	ITEM CODE
AK65	SB	65-80	CARBON STEEL	F05 F07-F05	kg 0,74	K0C00AK651X
					lb 1,63	
AK32	SB	32-40	CARBON STEEL	F05 F07-F05	kg 0,60	K0C00AK321X
					lb 1,32	
AK40	GB-GHP-GN-GR-SB	32-40	CARBON STEEL	F05 F07-F05	kg 0,67	K0C00AK401X
					lb 1,48	
AK20	GE-GB-GHP-GN-GR-SB	20-25	CARBON STEEL	F05 F07-F05	kg 0,52	K0C00AK201X
					lb 1,15	
AK6	GE-GHP-GN-GR-SB	06-10-13	CARBON STEEL	F03-F03	kg 0,25	K0C00AK61X
					lb 0,55	
AK13	GE-GHP-GN-GR	13	CARBON STEEL	F03-F05	kg 0,31	K0C00AK131X
					lb 0,68	
AK100	GR-SB	100-125	CARBON STEEL	F10 F12-F12	kg 2,05	K0C00AK1001X
					lb 4,52	
AK50	GB-GHP-GN-GR-SB	50	CARBON STEEL	F05 F07-F05	kg 0,71	K0C00AK501X
					lb 1,57	
AK6S	GN	06-10-13	CARBON STEEL	F03 F05-F03 F05	kg 0,30	K0C00AK6S1X
					lb 0,66	



## J4C 20 CONSUMPTION

Voltage	Model		Unload		Max. Operational Torque 20Nm		Max. Torque Break 25Nm	
			A	W	A	W	A	W
12VDC	B20	Nm	0,75	9,06	1,8	21,6	1,95	23,36
		lbf-ft	0,55	6,68	1,33	15,93	1,44	17,23
24VDC	S20	Nm	0,45	10,77	0,9	21,49	0,97	23,39
		lbf-ft	0,33	7,94	0,66	15,85	0,72	17,25
48VDC	S20	Nm	0,21	9,93	0,42	20,38	0,46	22,07
		lbf-ft	0,15	7,32	0,31	15,03	0,34	16,28
110 VDC	S20	Nm	0,07	8	0,13	14,3	0,14	15,7
		lbf-ft	0,05	5,90	0,10	10,55	0,10	11,58
12VAC	B20	Nm	1,04	12,51	1,85	22,18	2,28	27,32
		lbf-ft	0,77	9,23	1,36	16,36	1,68	20,15
24VAC	S20	Nm	0,59	14,2	1,12	26,77	1,28	30,62
		lbf-ft	0,44	10,47	0,83	19,74	0,94	22,58
48VAC	S20	Nm	0,34	16,37	0,69	33,16	0,75	36,22
		lbf-ft	0,25	12,07	0,51	24,46	0,55	26,71
110 VAC	S20	Nm	0,14	15,73	0,27	29,52	0,3	32,67
		lbf-ft	0,10	11,60	0,20	21,77	0,22	24,10
240 VAC	S20	Nm	0,1	23,76	0,15	36,43	0,16	39,07
		lbf-ft	0,07	17,52	0,11	26,87	0,12	28,82

## J4C 35 CONSUMPTION

Voltage	Model		Unload		Max. Operational Torque 35Nm		Max. Torque Break 38Nm	
			A	W	A	W	A	W
12VDC	B35	Nm	0,75	9,06	2,38	28,62	2,62	31,5
		lbf-ft	0,55	6,68	1,76	21,11	1,93	23,23
24VDC	S35	Nm	0,45	10,77	1,28	30,78	1,37	32,79
		lbf-ft	0,33	7,94	0,94	22,70	1,01	24,18
48VDC	S35	Nm	0,21	9,93	0,56	26,72	0,59	28,2
		lbf-ft	0,15	7,32	0,41	19,71	0,44	20,80
110 VDC	S35	Nm	0,07	7,7	0,17	18,9	0,18	20,1
		lbf-ft	0,05	5,68	0,13	13,94	0,13	14,82
12VAC	B35	Nm	1,04	12,51	2,75	33	3,19	38,28
		lbf-ft	0,77	9,23	2,03	24,34	2,35	28,23
24VAC	S35	Nm	0,59	14,2	1,58	37,8	1,67	40,13
		lbf-ft	0,44	10,47	1,17	27,88	1,23	29,60
48VAC	S35	Nm	0,34	16,37	0,92	44,04	0,99	47,31
		lbf-ft	0,25	12,07	0,68	32,48	0,73	34,89
110 VAC	S35	Nm	0,14	15,73	0,36	39,45	0,38	41,87
		lbf-ft	0,10	11,60	0,27	29,10	0,28	30,88
240 VAC	S35	Nm	0,1	23,76	0,19	45,41	0,2	47,52
		lbf-ft	0,07	17,52	0,14	33,49	0,15	35,05

### J4C 55 CONSUMPTION

Voltage	Model		Unload		Max. Operational Torque 55Nm		Max. Torque Break 60Nm	
			A	W	A	W	A	W
12VDC	B55	Nm	0,7	8,45	3,04	36,43	3,42	41,05
		lbf-ft	0,52	6,23	2,24	26,87	2,52	30,28
24VDC	S55	Nm	0,42	10,19	1,55	37,17	1,63	39,02
		lbf-ft	0,31	7,52	1,14	27,42	1,20	28,78
48VDC	S55	Nm	0,2	9,72	0,61	29,25	0,67	32,31
		lbf-ft	0,15	7,17	0,45	21,57	0,49	23,83
110 VDC	S55	Nm	0,07	7,5	0,19	20,8	0,21	23,2
		lbf-ft	0,05	5,53	0,14	15,34	0,15	17,11
12VAC	B55	Nm	0,94	11,3	3,43	41,18	3,78	45,41
		lbf-ft	0,69	8,33	2,53	30,37	2,79	33,49
24VAC	S55	Nm	0,58	13,89	1,87	44,88	1,98	47,52
		lbf-ft	0,43	10,24	1,38	33,10	1,46	35,05
48VAC	S55	Nm	0,33	15,73	1,1	52,8	1,21	58,29
		lbf-ft	0,24	11,60	0,81	38,94	0,89	42,99
110 VAC	S55	Nm	0,14	15,73	0,4	43,8	0,43	46,95
		lbf-ft	0,10	11,60	0,30	32,31	0,32	34,63
240 VAC	S55	Nm	0,09	22,7	0,2	47,52	0,21	50,16
		lbf-ft	0,07	16,74	0,15	35,05	0,15	37,00

### J4C 85 CONSUMPTION

Voltage	Model		Unload		Max. Operational Torque -85Nm		Max. Torque Break -90Nm	
			A	W	A	W	A	W
12VDC	B85	Nm	0,62	7,42	2,11	25,34	2,28	27,32
		lbf-ft	0,46	5,47	1,56	18,69	1,68	20,15
24VDC	S85	Nm	0,36	8,55	1,08	25,87	1,22	29,3
		lbf-ft	0,27	6,31	0,80	19,08	0,90	21,61
48VDC	S85	Nm	0,17	8,24	0,48	22,92	0,53	25,56
		lbf-ft	0,13	6,08	0,35	16,90	0,39	18,85
110 VDC	S85	Nm	0,05	5,8	0,14	15,2	0,16	17,9
		lbf-ft	0,04	4,28	0,10	11,21	0,12	13,20
12VAC	B85	Nm	0,81	9,69	2,38	28,51	2,65	31,81
		lbf-ft	0,60	7,15	1,76	21,03	1,95	23,46
24VAC	S85	Nm	0,5	11,88	1,36	32,74	1,5	36,01
		lbf-ft	0,37	8,76	1,00	24,15	1,11	26,56
48VAC	S85	Nm	0,25	11,83	0,77	37,07	0,86	41,18
		lbf-ft	0,18	8,73	0,57	27,34	0,63	30,37
110 VAC	S85	Nm	0,12	12,83	0,31	33,64	0,33	36,54
		lbf-ft	0,09	9,46	0,23	24,81	0,24	26,95
240 VAC	S85	Nm	0,08	20,06	0,17	40,13	0,18	42,77
		lbf-ft	0,06	14,80	0,13	29,60	0,13	31,55

## J4C 140 CONSUMPTION

Voltage	Model		Unload		Max. Operational Torque -140Nm		Max. Torque Break -170Nm	
			A	W	A	W	A	W
12VDC	B140	Nm	1,93	23,1	4,73	56,76	5,39	64,68
		lbf-ft	1,42	17,04	3,49	41,86	3,98	47,71
24VDC	S140	Nm	0,66	15,84	2,15	51,48	2,53	60,72
		lbf-ft	0,49	11,68	1,59	37,97	1,87	44,78
48VDC	S140	Nm	0,3	14,25	0,88	42,24	1,1	52,8
		lbf-ft	0,22	10,51	0,65	31,15	0,81	38,94
110 VDC	S140	Nm	0,1	10,89	0,28	30,25	0,39	42,35
		lbf-ft	0,07	8,03	0,21	22,31	0,29	31,24
12VAC	B140	Nm	2,75	33	6,6	79,2	8,47	101,64
		lbf-ft	2,03	24,34	4,87	58,41	6,25	74,97
24VAC	S140	Nm	0,83	19,8	2,59	62,04	3,3	79,2
		lbf-ft	0,61	14,60	1,91	45,76	2,43	58,41
48VAC	S140	Nm	0,48	23,23	1,43	68,64	1,79	86,06
		lbf-ft	0,35	17,13	1,05	50,63	1,32	63,47
110 VAC	S140	Nm	0,23	25,41	0,63	68,97	0,72	78,65
		lbf-ft	0,17	18,74	0,46	50,87	0,53	58,01
240 VAC	S140	Nm	0,18	42,24	0,39	90,4	0,44	105,6
		lbf-ft	0,13	31,15	0,29	66,68	0,32	77,89

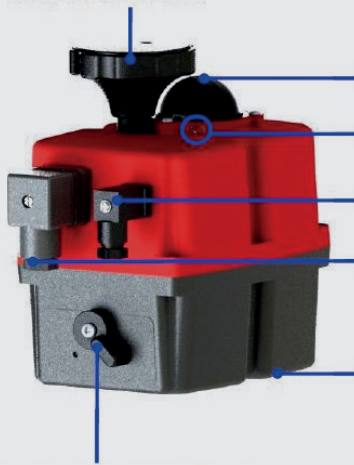
## J4C 300 CONSUMPTION

Voltage	Model		Unload		Max. Operational Torque -300Nm		Max. Torque Break -350Nm	
			A	W	A	W	A	W
12VDC	B300	Nm	1,32	15,84	5,17	62,04	5,45	65,34
		lbf-ft	0,97	11,68	3,81	45,76	4,02	48,19
24VDC	S300	Nm	0,5	11,88	2,31	55,44	2,7	64,68
		lbf-ft	0,37	8,76	1,70	40,89	1,99	47,71
48VDC	S300	Nm	0,22	10,56	1,1	52,8	1,19	57,02
		lbf-ft	0,16	7,79	0,81	38,94	0,88	42,06
110 VDC	S300	Nm	0,09	9,68	0,33	36,3	0,39	42,35
		lbf-ft	0,07	7,14	0,24	26,77	0,29	31,24
12VAC	B300	Nm	1,98	23,76	7,26	87,12	8,64	103,62
		lbf-ft	1,46	17,52	5,35	64,26	6,37	76,43
24VAC	S300	Nm	0,66	15,84	2,75	66	3,3	79,2
		lbf-ft	0,49	11,68	2,03	48,68	2,43	58,41
48VAC	S300	Nm	0,36	17,42	1,65	79,2	1,87	89,76
		lbf-ft	0,27	12,85	1,22	58,41	1,38	66,20
110 VAC	S300	Nm	0,19	20,57	0,66	72,6	0,77	84,7
		lbf-ft	0,14	15,17	0,49	53,55	0,57	62,47
240 VAC	S300	Nm	0,15	36,96	0,42	100,32	0,47	113,52
		lbf-ft	0,11	27,26	0,31	73,99	0,35	83,73

TECHNICAL DATA

ELECTRIC ACTUATOR

MANUAL OVERRIDE



- POSITION INDICATOR
- VISUAL CONTROL OF OPERATION
- VOLT FREE CONTACT PLUG
- POWER SUPPLY PLUG
- ISO MULTIFLANGE

AUTOMATIC - MANUAL LEVER

3 WIRES ON - OFF

A = power supply plug

A: VAC 3 WIRES (Grey plug)

PIN 1 = Neutral + PIN 2 = Phase = Close

PIN 1 = Neutral + PIN 3 = Phase = Open

A: VDC 3 WIRES (Grey plug)

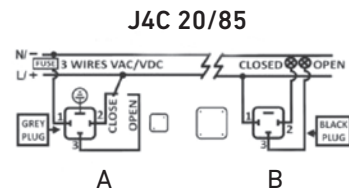
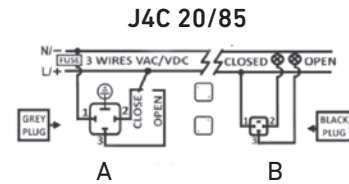
PIN 1 = (-) Negative + PIN 2 = Phase = Close

PIN 1 = (-) Negative + PIN 3 = Phase = Open

B: Volt free contact, plug

PIN 1 / PIN 2 = Close

PIN 1 / PIN 3 = Open



ON-OFF ACTUATOR	ACTUATOR OPERATIONAL STATUS											
Without power supply	Black	Black	Black	Black	Black	Black	Black	Black	Black	Black	Black	Black
In open position	Green	Green	Green	Green	Green	Green	Green	Green	Green	Green	Green	Green
In close position	Red	Red	Red	Red	Red	Red	Red	Red	Red	Red	Red	Red
Opening	Yellow	Green	Green	Yellow	Green	Green	Yellow	Green	Green	Yellow	Green	Green
Closing	Yellow	Red	Red	Yellow	Red	Red	Yellow	Red	Red	Yellow	Red	Red
Torque limiter function on, moving from close to open	Green	Green	Green	Black	Black	Black	Black	Black	Black	Black	Black	Black
Torque limiter function on, moving from open to open	Red	Red	Red	Black	Black	Black	Black	Black	Black	Black	Black	Black
Actuator in manual mode (exceed time)	Yellow	Yellow	Yellow	Black	Black	Black	Black	Black	Black	Black	Black	Black
The actuators has stopped (no close/no open position)	Purple	Purple	Purple	Purple	Purple	Purple	Purple	Purple	Purple	Purple	Purple	Purple
In middle position	Yellow	Yellow	Yellow	Yellow	Yellow	Yellow	Yellow	Yellow	Yellow	Yellow	Yellow	Yellow

## 2 WIRES ON - OFF

A = power supply plug

A: VDC 2 WIRES (Grey plug)

PIN 2 = (+) Positive + PIN 3 = (-) Negative = Close

PIN 2 = (-) Negative + PIN 3 = (+) Positive = Open

B: Volt free contact, plug

PIN 1 / PIN 2 = Close

PIN 1 / PIN 3 = Open

