



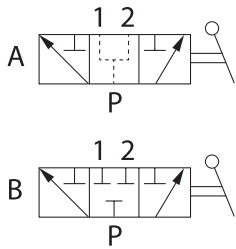
DDF

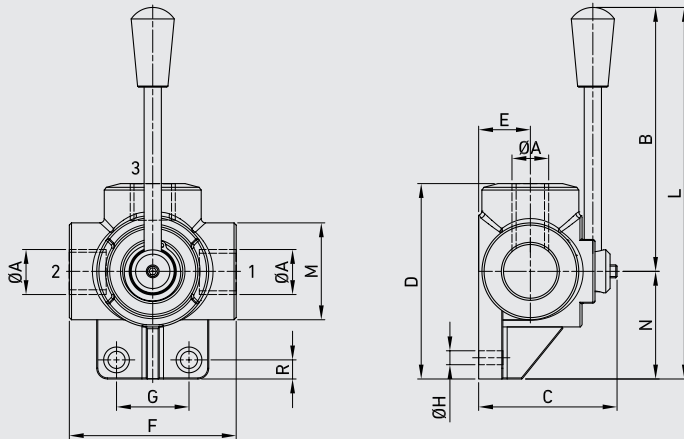
3 WAYS FLOW DIVERTERS

Edition. 21.0

CS Carbon Steel

- Cast iron
- Type: 3 ways flow diverters
- Pressure: up to PN300
- Treatment: Galvanized





CODE DESCRIPTION STRUCTURE

DDF | **G1/2**

Type and way of valve

DDF 3 ways flow diverters

Ends

 GAS DIN/
ISO 228
BSP

 G 1/4
G 3/8
G 1/2
G 3/4
G 1

DDF - 3 ways flow diverters with open centre

TYPE	A	PORTATA MAX (MAX FLOW) L/min	PRESSIONE MAX (MAX PRESSURE)		B	C	D	E	F	G	H	L	M	N	R	WEIGHT	ITEM CODE		
			MPa	Psi															
DDF3 BSP 1/4 - 140	G 1/4	40	MPa	30	mm	128	62	77	21	73	24	8,5	169	35	41	14,5	kg	0,95	NDF1G010000
			Psi	4350	inch	5,04	2,44	3,03	0,83	2,87	0,94	0,33	6,65	1,38	1,61	0,57	lb	2,09	
DDF3 BSP 3/8 - 380	G 3/8	60	MPa	30	mm	128	62	77	21	73	24	8,5	169	35	41	14,5	kg	0,89	NDF1G020000
			Psi	4350	inch	5,04	2,44	3,03	0,83	2,87	0,94	0,33	6,65	1,38	1,61	0,57	lb	1,96	
DDF3 BSP 1/2 - 120	G 1/2	90	MPa	25	mm	128	70	96	25	85	32	10,5	180	40	52	17	kg	1,45	NDF1G030000
			Psi	3625	inch	5,04	2,76	3,78	0,98	3,35	1,26	0,41	7,09	1,57	2,05	0,67	lb	3,20	
DDF3 BSP 3/4 - 340	G 3/4	120	MPa	22	mm	125	80	100	28	90	32	10,5	180	45	55	14	kg	1,82	NDF1G040000
			Psi	3190	inch	4,92	3,15	3,94	1,10	3,54	1,26	0,41	7,09	1,77	2,17	0,55	lb	4,01	
DDF3 BSP 1" - 100	G 1	200	MPa	22	mm	140	90	115	32,5	96	32	11	207	56	67	17	kg	2,5	NDF1G050000
			Psi	3190	inch	5,51	3,54	4,53	1,28	3,78	1,26	0,43	8,15	2,20	2,64	0,67	lb	5,51	