



# SJ HD

## SWIVEL JOINTS

Edition. 21.1

### CS Carbon Steel

- Type: swivel joint HD / in line
- Sizes: from DN13 up to DN32
- Ends: BSP - UNF/SAE (on request)
- Pressure: up to PN400
- Temp range: -20°C to +80°C
- Treatment: Galvanized



**CODE DESCRIPTION STRUCTURE**

<b>SJ</b>	<b>10</b>	<b>G1/2</b>	<b>CS</b>
-----------	-----------	-------------	-----------

**Type and way of valve**

SJ HD - HEAVY DUTY swivel joint

10 line

**Ends**

 GAS DIN/ISO  
 228 BSP"

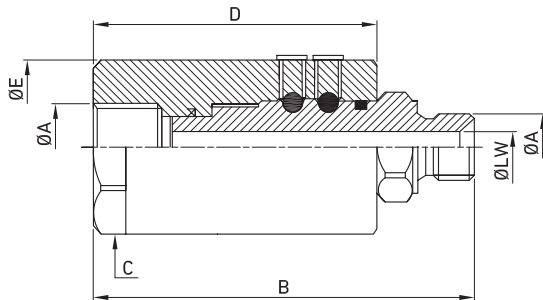
G 1/2

G 3/4

G 1

**Material**

● CS carbon steel


**SJ HD HEAVY DUTY - IN LINE FROM 1/2" TO 1"**

TYPE	ØA	C	B	D	ØE	ØLW	MAX WORKING PRESSURE	MAX PEAK PRESSURE	MAX FLOW L/min	CS Carbon Steel		
										ITEM CODE		
SJ10HD IN LINE 1/2 BSP	G 1/2	mm	36	92	68	40	10	MPa	40	50	95	NSJ2G030001
		inch		3,62	2,68	1,57	0,39	Psi	5800	7250		
SJ10HD IN LINE 3/4 BSP	G 3/4	mm	45	120	89	50	14	MPa	35	50	150	NSJ2G040001
		inch		4,72	3,50	1,97	0,55	Psi	5075	7250		
SJ10HD IN LINE 1 BSP	G 1	mm	50	122	90	55	20	MPa	35	45	215	NSJ2G050001
		inch		4,80	3,54	2,17	0,79	Psi	5075	6525		