



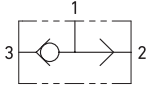
GEV

SHUTTLE VALVES

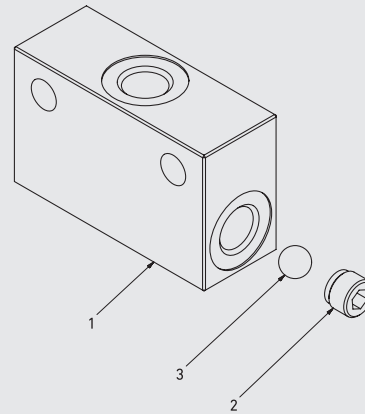
Edition. 21.2

CS Carbon Steel

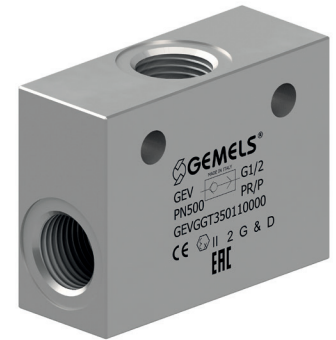
- Type: shuttle valve 3 way
- Sizes: from DN6 up to DN25
- Ends: BSP-NPT-SAE
- Pressure: up to PN500
- Temp range: from -20°C to +100°C
- Treatment: Galvanized



STANDARD COMPOSITION OF VALVE



POS	DESCRIPTION	Q.TY	CS
			Carbon Steel
			MATERIAL
1	Body	1	1,0737
2	Adapter	1	1,0737
3	Ball	1	UNI3545



CODE DESCRIPTION STRUCTURE

GEV **G1/2** **DN13** **1**

Type and way of valve

GEV 3-way

Ends

GAS DIN/ ISO 228 BSP	NPT ANSI /ASME B1.20.1
G 1/4	N 1/4
G 3/8	N 3/8
G 1/2	N 1/2
G 3/4	N 3/4
G 1	N 1

Nominal dimension

- DN6
- DN10
- DN13
- DN20
- DN25

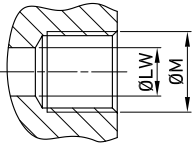
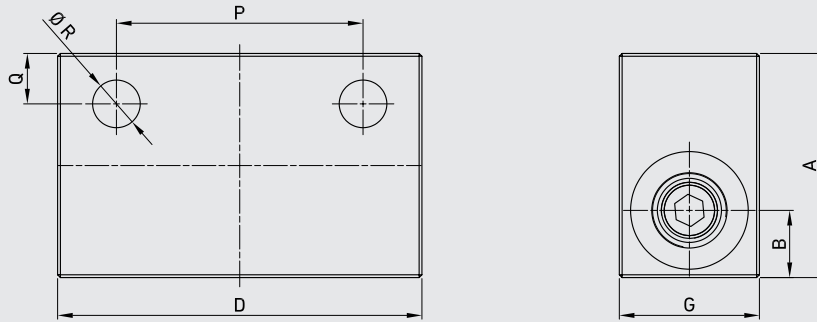
Body Material

- 1 = 1.0737

***On request**

- Reduced bore
- Special threads
- Pressure class up to PN25 Mpa

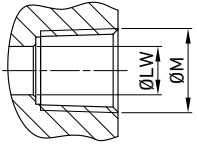
For further special requests please consult our technical/commercial service.



GEV DIN/ISO 228 BSP

CS
Carbon Steel

TYPE	DN	PN	A	B	D	G	ØM	P	Q	ØR	ØLW	WEIGHT	ITEM CODE
GEV G 1/4	6	MPa 50	mm 40	12	65	25	G 1/4	44	9	8,5	5	kg 0,43	GEVGGT120110000
		Psi 7250	inch 1,57	0,47	2,56	0,98		1,73	0,35	0,33	0,20	lb 0,95	
GEV G 3/8	10	MPa 50	mm 40	12	65	25	G 3/8	44	9	8,5	7,5	kg 0,40	GEVGGT220110000
		Psi 7250	inch 1,57	0,47	2,56	0,98		1,73	0,35	0,33	0,30	lb 0,88	
GEV G 1/2	13	MPa 50	mm 57	18	76	30	G 1/2	44	12	8,5	11	kg 0,82	GEVGGT320110000
		Psi 7250	inch 2,24	0,71	2,99	1,18		1,73	0,47	0,33	0,43	lb 1,81	
GEV G 3/4	20	MPa 50	mm 65	22	85	40	G 3/4	44	12	8,5	15	kg 1,38	GEVGGT420110000
		Psi 7250	inch 2,56	0,87	3,35	1,57		1,73	0,47	0,33	0,59	lb 3,04	
GEV G 1	25	MPa 50	mm 65	22	95	40	G1	60	11	10,5	21	kg 1,30	GEVGGT520110000
		Psi 7250	inch 2,56	0,87	3,74	1,57		2,36	0,43	0,41	0,83	lb 2,87	



GEV ANSI/ASME B1.20.1 NPT

CS
Carbon Steel

TYPE	DN	PN	A	B	D	G	ØM	P	Q	ØR	ØLW	WEIGHT	ITEM CODE
GEVN 1/4	6	MPa 50	mm 40	12	65	25	N 1/4	44	9	8,5	5	kg 0,43	GEVNN120110000
		Psi 7250	inch 1,57	0,47	2,56	0,98		1,73	0,35	0,33	0,20	lb 0,95	
GEVN 3/8	10	MPa 50	mm 40	12	65	25	N 3/8	44	9	8,5	7,5	kg 0,40	GEVNN220110000
		Psi 7250	inch 1,57	0,47	2,56	0,98		1,73	0,35	0,33	0,30	lb 0,88	
GEVN 1/2	13	MPa 50	mm 57	18	76	30	N 1/2	44	12	8,5	11	kg 0,82	GEVNN320110000
		Psi 7250	inch 2,24	0,71	2,99	1,18		1,73	0,47	0,33	0,43	lb 1,81	
GEVN 3/4	20	MPa 50	mm 65	22	85	40	N 3/4	44	12	8,5	15	kg 1,38	GEVNN420110000
		Psi 7250	inch 2,56	0,87	3,35	1,57		1,73	0,47	0,33	0,59	lb 3,04	
GEVN 1	25	MPa 50	mm 65	22	95	40	N 1	60	11	10,5	21	kg 1,30	GEVNN520110000
		Psi 7250	inch 2,56	0,87	3,74	1,57		2,36	0,43	0,41	0,83	lb 2,87	

PRESSURE DROP CURVES

