



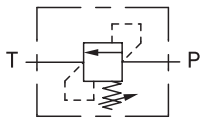
# VRC

## DIRECT ACTING RELIEF VALVE WITH MANIFOLD

Edition. 21.2

### CS Carbon Steel

- Type: Direct Acting Relief Valve with Manifold
- Sizes: DN6-DN10
- Ends: BSP-NPT-SAE
- Pressure: up to PN350
- Temp range: from -20°C to +80°C
- Treatment: Galvanized



## STRUCTURE

Type and way of valve	Ends			Material
	GAS DIN/ ISO 228 BSP	NPT ANSI /ASME B1.20.1	SAE J1926-1	
VRC	G 1/4 G 3/8	N 1/4 N 3/8	SAE4 SAE6	CS CARBON STEEL

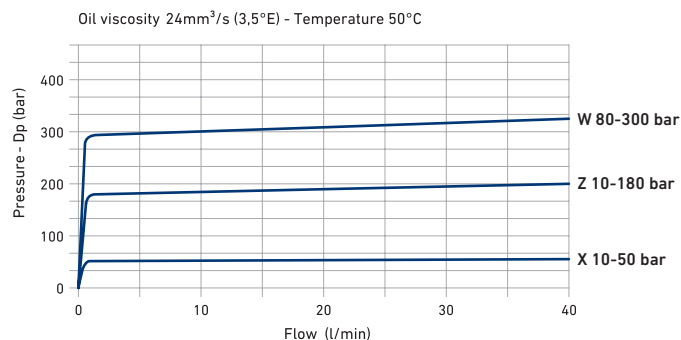


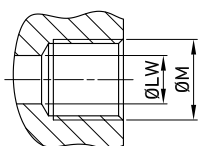
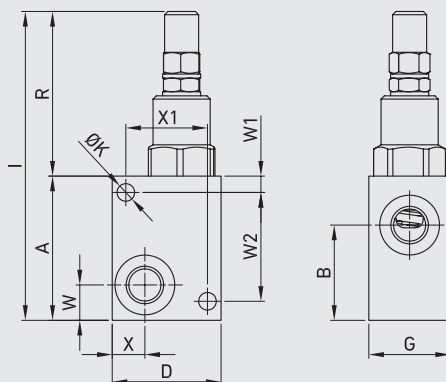
## FEATURES

MAX. FLOW (L/MIN)	FLUID VISCOSITY	FILTRATION	FLUID TEMPERATURE	AMBIENT TEMPERATURE	STANDARD SEALS	SEALS MATERIAL	SETTING RANGE	STANDARD SETTING AT 5l/min (BAR)	ADJUSTMENT
40	ISO 3448	ISO4406	-20°C/80°C	-20°C/50°C	NBR 70 Shore A	NBR 70 Shore A Viton*	10-180 10-50* 80-300*	90 30* 150*	Screw with steel cap Tamper resistant cap* Handknob and locknut*

\*On request

## PERFORMANCES



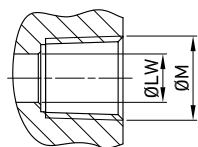


VRC DIN/ISO 228 BSP

CS

Carbon Steel

TYPE	DN	PN	A	B	D	G	I	R	ØM	ØK	W	W1	W2	X	X1	WEIGHT	ITEM CODE
VRC G 1/4	6	MPa 35	mm 52	35	40	30	114	62	G 1/4	6,5	13	5	40	12	30	kg 0,45	NVR1G010000
		Psi 5075	inch 2,05	1,38	1,57	1,18	4,49	2,44		0,26	0,51	0,20	1,57	0,47	1,18	lb 0,99	
VRC G 3/8	10	MPa 35	mm 55	35,5	40	30	117	62	G 3/8	6,5	15	5	43	12	30	kg 0,45	NVR1G020000
		Psi 5075	inch 2,17	1,40	1,57	1,18	4,61	2,44		0,26	0,59	0,20	1,69	0,47	1,18	lb 0,99	

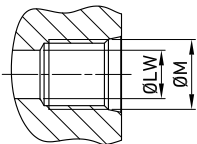


VRC ANSI/ASME B1.20.1 NPT

CS

Carbon Steel

TYPE	DN	PN	A	B	D	G	I	R	ØM	ØK	W	W1	W2	X	X1	WEIGHT	ITEM CODE
VRC N 1/4	6	MPa 35	mm 52	35	40	30	114	62	N 1/4	6,5	13	5	40	12	30	kg 0,45	NVR1N010000
		Psi 5075	inch 2,05	1,38	1,57	1,18	4,49	2,44		0,26	0,51	0,20	1,57	0,47	1,18	lb 0,99	
VRC N 3/8	10	MPa 35	mm 55	35,5	40	30	117	62	N 3/8	6,5	15	5	43	12	30	kg 0,45	NVR1N020000
		Psi 5075	inch 2,17	1,40	1,57	1,18	4,61	2,44		0,26	0,59	0,20	1,69	0,47	1,18	lb 0,99	


**VRC SAE J1926-1**

																	CS Carbon Steel		
																	ITEM CODE		
TYPE	DN	PN		A	B	D	G	I	R	ØM	ØK	W	W1	W2	X	X1	WEIGHT		
VRC SAE 4	6	MPa	35	mm	52	35	40	30	114	62	7/16	6,5	13	5	40	12	30	kg	0,45
		Psi	5075	inch	2,05	1,38	1,57	1,18	4,49	2,44	UNF	0,26	0,51	0,20	1,57	0,47	1,18	lb	0,99
VRC SAE 6	10	MPa	35	mm	55	35,5	40	30	117	62	9/16	6,5	15	5	43	12	30	kg	0,45
		Psi	5075	inch	2,17	1,40	1,57	1,18	4,61	2,44	UNF	0,26	0,59	0,20	1,69	0,47	1,18	lb	0,99