



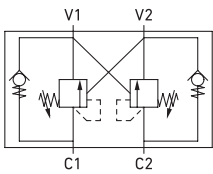
# VODE

## DOUBLE EFFECT OVERCENTER VALVE

Edition. 21.1

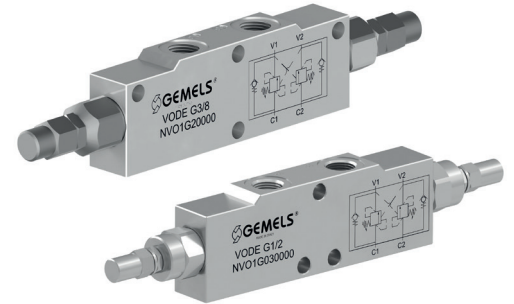
### CS Carbon Steel

- Type: Double Effect Overcenter Valve
- Sizes: DN6-DN20
- Ends: BSP-NPT-SAE
- Pressure: up to PN350
- Temp range: from -20°C to +90°C
- Treatment: Galvanized



## STRUCTURE

Type and way of valve	Ends			Material
	GAS DIN/ ISO 228 BSP	NPT ANSI /ASME B1.20.1	SAE J1926-1	
VODE	G 1/4 G 3/8 G 1/2 G 3/4	N 1/4 N 3/8 N 1/2 N 3/4	SAE4 SAE6 SAE8 SAE12	CS CARBON STEEL



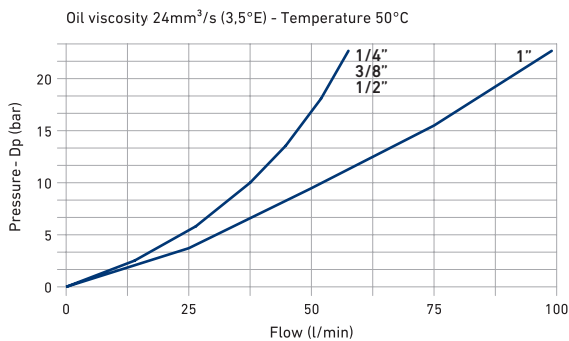
## FEATURES

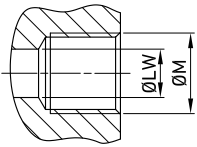
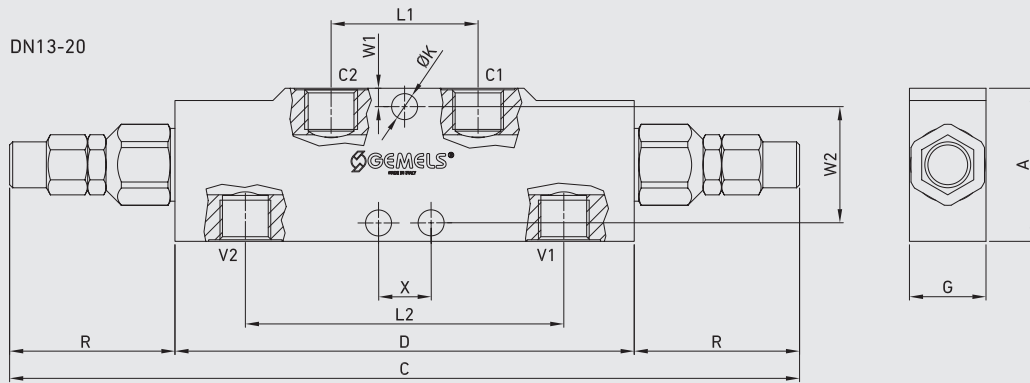
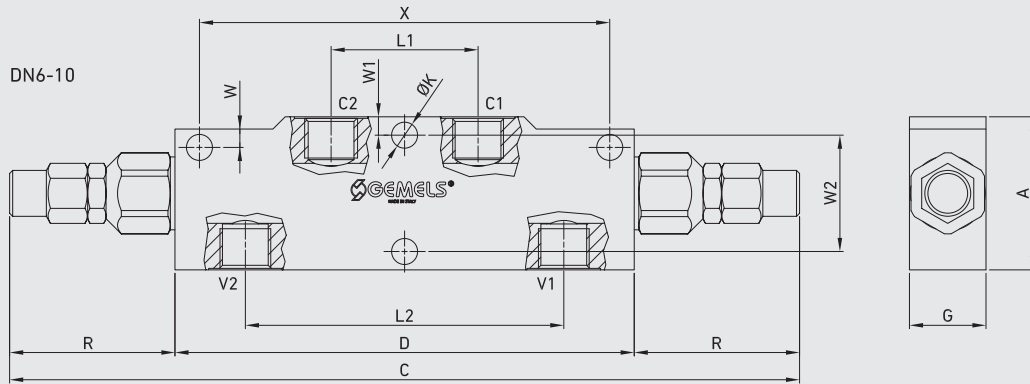
PILOT RATIO	FLUID VISCOSITY	FILTRATION	FLUID TEMPERATURE	AMBIENT TEMPERATURE	STANDARD SEALS	ADJUSTMENT
4,25:1 6,25:1	ISO 3448	ISO4406	-20°C +90°C	-20°C +50°C	NBR	Steel cap Std. Tamper proof cap

### \*On request

- Pilot ratio 8:1 and 11:1
- Bigger sizes
- Tamper proof cap

## PERFORMANCES V to C

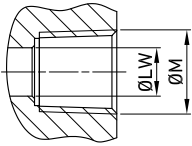




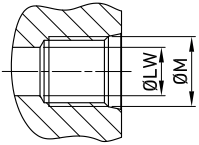
VODE DIN/ISO 228 BSP

CS  
Carbon Steel

TYPE	DN	PN	STANDARD SETTING	SETTING RANGE	A	C	D	G	L1	L2	R	ØM	ØK	W	W1	W2	X	PILOT RATIO	MAX FLOW (l/min)	WEIGHT	ITEM CODE
VODE G 1/4	6	MPa 35	30	6-35	mm 50	258	150	25	48	104	54	G 1/4	8,5	10	6	38	134	4,25:1	30	kg 1,42	NV01G010000
		Psi 5075	4350	870-5075	inch 1,97	10,16	5,91	0,98	1,89	4,09	2,13	G 1/4	0,33	0,39	0,24	1,50	5,28			lb 3,13	
VODE G 3/8	10	MPa 35	30	3-35	mm 50	258	150	25	48	104	54	G 3/8	8,5	10	6	38	134	4,25:1	40	kg 1,39	NV01G020000
		Psi 5075	4350	435-5075	inch 1,97	10,16	5,91	0,98	1,89	4,09	2,13	G 3/8	0,33	0,39	0,24	1,50	5,28			lb 3,06	
VODE G 1/2	13	MPa 35	30	6-35	mm 60	258	150	30	50	110	54	G 1/2	8,5	-	8	44	30	4,25:1	60	kg 2	NV01G030000
		Psi 5075	4350	870-5075	inch 2,36	10,16	5,91	1,18	1,97	4,33	2,13	G 1/2	0,33	-	0,31	1,73	1,18			lb 4,41	
VODE G 3/4	20	MPa 35	30	6-35	mm 80	304	190	35	65	143	57	G 3/4	8,5	-	8	64	44	6,25:1	90	kg 3,8	NV01G040000
		Psi 5075	4350	435-5075	inch 3,15	11,97	7,48	1,38	2,56	5,63	2,24	G 3/4	0,33	-	0,31	2,52	1,73			lb 8,38	


**VODE ANSI/ASME B1.20.1 NPT**

																			CS Carbon Steel		
TYPE	DN	PN	STANDARD SETTING	SETTING RANGE	A	C	D	G	L1	L2	R	ØM	ØK	W	W1	W2	X	PILOT RATIO	MAX FLOW (l/min)	WEIGHT	ITEM CODE
VODE N 1/4	6	MPa 35	30	6-35	mm 50 258 150 25 48 104 54	N 1/4	8,5	10	6	38	134	4.25:1	30	kg 1,42	NVO1N010000						
		Psi 5075	4350	870-5075	inch 1,97 10,16 5,91 0,98 1,89 4,09 2,13											0,33	0,39	0,24	1,50	5,28	lb 3,13
VODE N 3/8	10	MPa 35	30	3-35	mm 50 258 150 25 48 104 54	N 3/8	8,5	10	6	38	134	4.25:1	40	kg 1,39	NVO1N020000						
		Psi 5075	4350	435-5075	inch 1,97 10,16 5,91 0,98 1,89 4,09 2,13											0,33	0,39	0,24	1,50	5,28	lb 3,06
VODE N 1/2	13	MPa 35	30	6-35	mm 60 258 150 30 50 110 54	N 1/2	8,5	-	8	44	30	4.25:1	60	kg 2	NVO1N030000						
		Psi 5075	4350	870-5075	inch 2,36 10,16 5,91 1,18 1,97 4,33 2,13											0,33	-	0,31	1,73	1,18	lb 4,41
VODE N 3/4	20	MPa 35	30	6-35	mm 80 304 190 35 65 143 57	N 3/4	8,5	-	8	64	44	6.25:1	90	kg 3,8	NVO1N040000						
		Psi 5075	4350	435-5075	inch 3,15 11,97 7,48 1,38 2,56 5,63 2,24											0,33	-	0,31	2,52	1,73	lb 8,38


**VODE SAE J1926-1**

																			CS Carbon Steel		
TYPE	DN	PN	STANDARD SETTING	SETTING RANGE	A	C	D	G	L1	L2	R	ØM	ØK	W	W1	W2	X	PILOT RATIO	MAX FLOW (l/min)	WEIGHT	ITEM CODE
VODE SAE 4	6	MPa 35	30	6-35	mm 50 258 150 25 48 104 54	7/16 UNF	8,5	10	6	38	134	4.25:1	30	kg 1,42	NVO1S010000						
		Psi 5075	4350	870-5075	inch 1,97 10,16 5,91 0,98 1,89 4,09 2,13											0,33	0,39	0,24	1,50	5,28	lb 3,13
VODE SAE 6	10	MPa 35	30	3-35	mm 50 258 150 25 48 104 54	9/16 UNF	8,5	10	6	38	134	4.25:1	40	kg 1,39	NVO1S020000						
		Psi 5075	4350	435-5075	inch 1,97 10,16 5,91 0,98 1,89 4,09 2,13											0,33	0,39	0,24	1,50	5,28	lb 3,06
VODE SAE 8	13	MPa 35	30	6-35	mm 60 258 150 30 50 110 54	3/4-16 UNF	8,5	-	8	44	30	4.25:1	60	kg 2	NVO1S030000						
		Psi 5075	4350	870-5075	inch 2,36 10,16 5,91 1,18 1,97 4,33 2,13											0,33	-	0,31	1,73	1,18	lb 4,41
VODE SAE 12	20	MPa 35	30	6-35	mm 80 304 190 35 65 143 57	1 1/16 -12 UN	8,5	-	8	64	44	6.25:1	90	kg 3,8	NVO1S040000						
		Psi 5075	4350	435-5075	inch 3,15 11,97 7,48 1,38 2,56 5,63 2,24											0,33	-	0,31	2,52	1,73	lb 8,38