



GRC

2-WAY HIGH PRESSURE BALL VALVES

Edition. 21.2

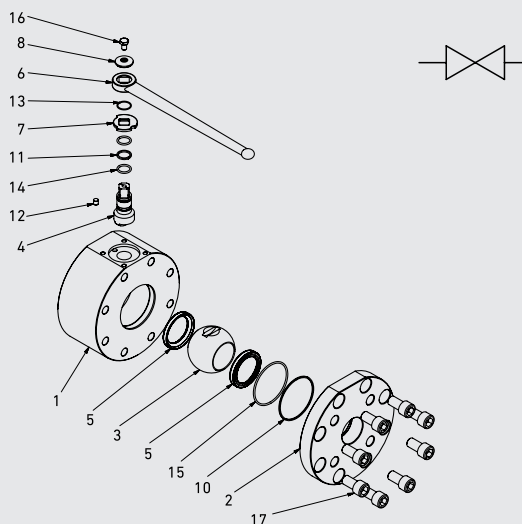
CS Carbon Steel

- Type: ball valve 2 way
- Sizes: from DN25 up to DN125
- Ends: ISO6164 (CETOP)
- Pressure: up to PN420 / S6000
- Temp range: -20°C to +100°C
- Treatment: Galvanized

SS Stainless Steel

- Type: ball valve 2 way
- Sizes: from DN25 up to DN125
- Ends: ISO6164 (CETOP)
- Pressure: up to PN420 / S6000
- Temp range: -30°C to +100°C

STANDARD COMPOSITION OF VALVE



POS	DESCRIPTION	Q.TY	CS	SS
			Carbon Steel	Stainless Steel
			MATERIAL	
1	Body	1	1,0570	1,4404
2	Flange	1	1,0570	1,4404
3	Ball	1	1,0570	1,4404
4	Stem	1	1,4542	1,4542
5	Seat	2	POM	POM
6	Handle	1	1,0116	1,0116
7	Washer	1	1,0116	1,0116
8	Washer	1	1,0116	1,0116
9	Flange Back-Up	1	PTFE	PTFE
10	Stem Back-Up	1	PTFE	PTFE
11	Stem Ring	1	PTFE	PTFE
12	Pin	1	1,0737	1,4404
13	Flange o-ring	1	NBR	NBR
14	Stem o-ring	2	NBR	NBR
15	Seeger	1	1,4404	1,4404
16	T.C.E.I. Screw	8	DIN6921 8.8	ISO4762 A4
17	T.E. Screw	1	DIN6921 8.8	ISO4762 A4



CODE DESCRIPTION STRUCTURE

GRC	250	DN50	2	2	M	2	A	B
-----	-----	------	---	---	---	---	---	---

Type and way of valve

GRC 2-way

Ends

VALVE DIMENSION OF PRESSURE (PSI)

- PN250
- PN350
- PN400

Size

from DN25 to DN125

Body Material

- 2 = 1,0570
- 4 = 1,4404

Adapter material

- 2 = 1,0570
- 4 = 1,4404

Stem material

- M = 1,4542
- M = 1,4542

Ball Material

- 2 = 1,0570 4 = 1,4404*
- 4 = 1,4404

Seat material

A = POM D = PEEK* G = PA612* K = GEMPTFE* C = PTFE*

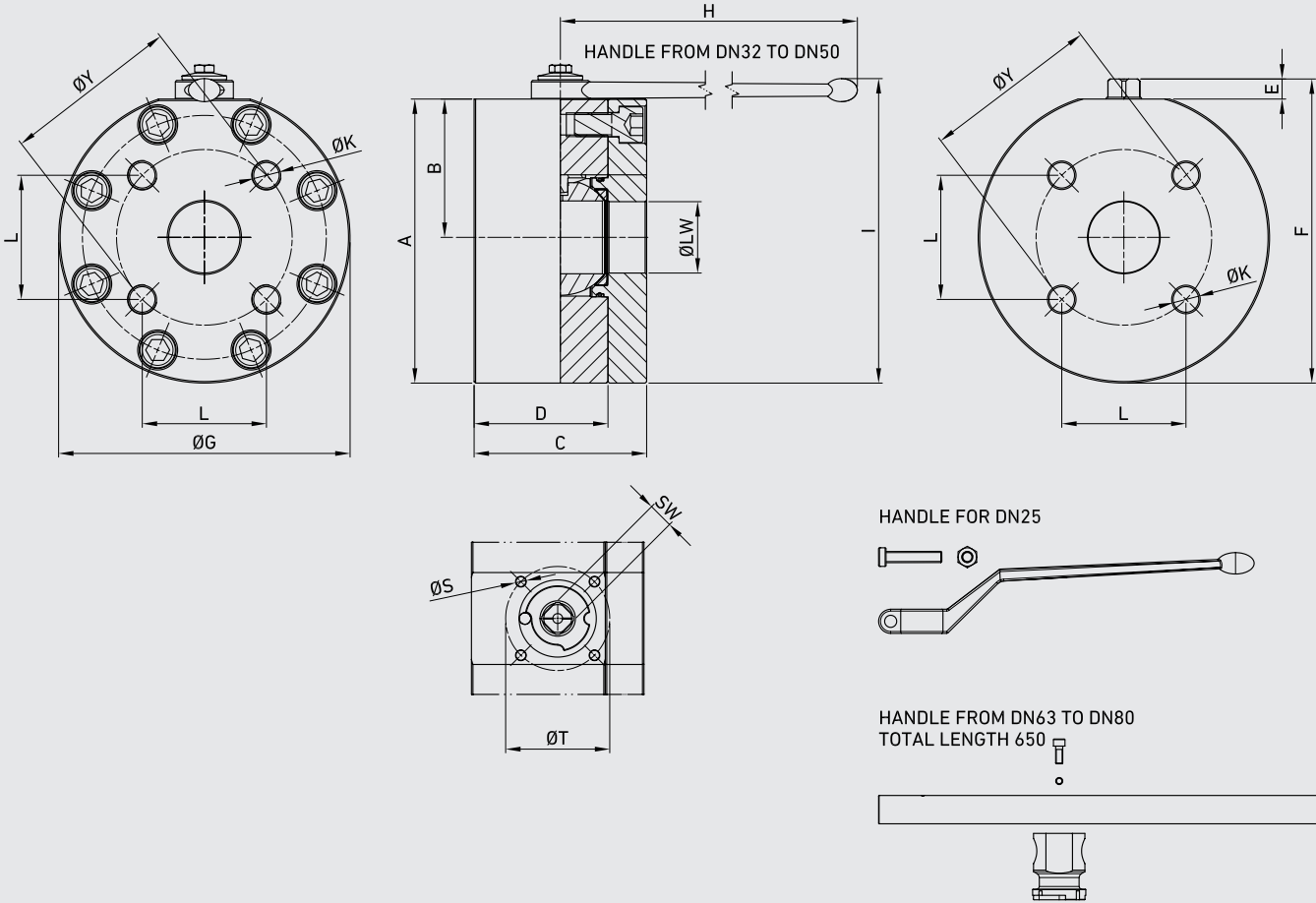
Seal material

B = NBR E = FKM* F = EPDM* L = MVQ*

***On request**

- Reduced bore
- Special threads
- Pressure class up to PN40 Mpa
- Pneumatic and electrical actuator
- Locking device

For further special requests please consult our technical/commercial service.



GRC CETOP250 ISO6164

TYPE	DN	PN	A	B	C	D	E	F	ØG	H	I	L	ØK	ØT	ØS	ØY	ISO5211	SW	ØLW	WEIGHT	CS	SS	
																					Carbon Steel	Stainless Steel	
																						ITEM CODE	
GRC250	25	MPa 25	mm 98,5	39,5	88	69	14	113	118	180	143	43,8	4x	50	M6	62	F05	14	25	kg 6,317	GR2CTT52022A000	GR2CTT52044A000	
		Psi 3625	inch 3,88	1,56	3,46	2,72	0,55	4,45	4,65	7,09	5,63	1,72	M10	1,97	M6	2,44		0,55	0,98	lb 13,93			
GRC250	32	MPa 25	mm 143,5	71	100	73	14	162	145	300	162	51,6	4x	50	M6	73	F05	17	32	kg 12,228	GR2CTT6202PA000	GR2CTT6204NA000	
		Psi 3625	inch 5,65	2,80	3,94	2,87	0,55	6,38	5,71	11,81	6,38	2,03	M12	1,97	M6	2,87		0,67	1,26	lb 26,96			
GRC250	38	MPa 25	mm 160	78	110	80	14	178,5	165	300	180	60,1	4x	50	M6	85	F05	17	38	kg 16,867	GR2CTT7202PA000	GR2CTT7204NA000	
		Psi 3625	inch 6,30	3,07	4,33	3,15	0,55	7,03	6,50	11,81	7,09	2,37	M16	1,97	M6	3,35		0,67	1,50	lb 37,19			
GRC250	51	MPa 25	mm 192	93	116	90	14	206	196	300	205	69,3	4x	70	M8	98	F07	17	47	kg 32,855	GR2CTT8202PA000	GR2CTT8204NA000	
		Psi 3625	inch 7,56	3,66	4,57	3,54	0,55	8,11	7,72	11,81	8,07	2,73	M16	2,76	M8	3,86		0,67	1,85	lb 72,43			
GRC250	56	MPa 25	mm 192	93	150	107	14	206	203	300	206	83,4	4x	70	M8	118	F07	17	58	kg 32,855	GR2CTT9202PA000	GR2CTT9204NA000	
		Psi 3625	inch 7,56	3,66	5,91	4,21	0,55	8,11	7,99	11,81	8,11	3,28	M20	2,76	M8	4,65		0,67	2,28	lb 72,43			
GRC250	63	MPa 25	mm 205	100	150	107	18	223	210	600	272	102,5	4x	70	M8	145	F07	19	70	kg 36,569	GR2CTTA202PA000	GR2CTTA204NA000	
		Psi 3625	inch 8,07	3,94	5,91	4,21	0,71	8,78	8,27	23,62	10,71	4,04	M20	2,76	M8	5,71		0,75	2,76	lb 80,62			
GRC250	100	MPa 25	mm 251	122	200	147	27	278	258	650	325	113,2	4xM24	102	M10	160,1	F10	24	90	kg 36,569	GR2CTTB202PA000	GR2CTTB204NA000	
		Psi 3625	inch 9,88	4,80	7,87	5,79	1,06	10,94	10,16	25,59	12,80	4,46		4,02	M10	6,30		0,94	3,54	lb 80,62			

GRC CETOP350 ISO6164

																					CS Carbon Steel	SS Stainless Steel
TYPE	DN	PN	A	B	C	D	E	F	ØG	H	I	L	ØK	ØT	ØS	ØY	ISO5211	SW	ØLW	WEIGHT	ITEM CODE	
GRC350	25	MPa 35	mm 102,5	39,5	88	69	14	117	118	180	143	50,9	4x 50	50	M6	72	F05	14	25	kg 7,2	GR2CTT53022A000	GR2CTT53044A000
		Psi 5075	inch 4,04	1,56	3,46	2,72	0,55	4,61	4,65	7,09	5,63	2,00	M12	1,97	M6	2,83	F05	0,55	0,98	lb 15,87		
GRC350	32	MPa 35	mm 141	68	105	75,5	14	158	145	300	162	56,6	4x 50	50	M6	80	F05	17	32	kg 12,5	GR2CTT6302PA000	GR2CTT6304NA000
		Psi 5075	inch 5,55	2,68	4,13	2,97	0,55	6,22	5,71	11,81	6,38	2,23	M16	1,97	M6	3,15	F05	0,67	1,26	lb 27,56		
GRC350	40	MPa 35	mm 161	78	110	80	14	178	165	300	180	69,5	4x 50	50	M6	98	F05	17	38	kg 16,6	GR2CTT7302PA000	GR2CTT7304NA000
		Psi 5075	inch 6,34	3,07	4,33	3,15	0,55	7,01	6,50	11,81	7,09	2,74	M16	1,97	M6	3,86	F05	0,67	1,50	lb 36,60		
GRC350	50	MPa 35	mm 193	94	116	90	14	210	196	300	205	83,5	4x 70	70	M8	118	F07	17	48	kg 25	GR2CTT8302PA000	GR2CTT8304NA000
		Psi 5075	inch 7,60	3,70	4,57	3,54	0,55	8,27	7,72	11,81	8,07	3,29	M20	2,76	M8	4,65	F07	0,67	1,89	lb 55,12		
GRC350	65	MPa 35	mm 204	100	150	107	21	224	208	600	272	102,5	4x 70	70	M8	145	F07	19	63	kg 44	GR2CTT9302PA000	GR2CTT9304NA000
		Psi 5075	inch 8,03	3,94	5,91	4,21	0,83	8,82	8,19	23,62	10,71	4,04	M24	2,76	M8	5,71	F07	0,75	2,48	lb 97,00		
GRC350	80	MPa 35	mm 208	100	150	107	22	233,5	215	600	280	123,7	4x 70	70	M8	175	F07	19	75	kg 45	GR2CTTA302PA000	GR2CTTA304NA000
		Psi 5075	inch 8,19	3,94	5,91	4,21	0,87	9,19	8,46	23,62	11,02	4,87	M30	2,76	M8	6,89	F07	0,75	2,95	lb 99,21		
GRC350	100	MPa 35	mm 251	122	200	147	26,5	277	258	600	326	141,5	8x 102	102	M10	200	F10	24	95	kg 70	GR2CTTB302PA000	GR2CTTB304NA000
		Psi 5075	inch 9,88	4,80	7,87	5,79	1,04	10,91	10,16	23,62	12,83	5,57	M24	4,02	M10	7,87	F10	0,94	3,74	lb 154,32		
GRC350	125	MPa 35	mm 303	148	220	170	32	330	310	900	389	-	8x 125	125	M12	245	F12	36	118	kg 109	GR2CTTC302PA000	GR2CTTC304NA000
		Psi 5075	inch 11,93	5,83	8,66	6,69	1,26	12,99	12,20	35,43	15,31	-	M30	4,92	M12	9,65	F12	1,42	4,65	lb 240,30		

GRC CETOP400 ISO6164

																					CS Carbon Steel	SS Stainless Steel
TYPE	DN	PN	A	B	C	D	E	F	ØG	H	I	L	ØK	ØT	ØS	ØY	ISO5211	SW	ØLW	WEIGHT	ITEM CODE	
GRC400	25	MPa 40	mm 98,5	39,5	88	69	14	113	118	180	143	43,8	4x 50	50	M6	62	F05	14	25	kg 6,317	GR2CTT54022A000	GR2CTT54044A000
		Psi 5800	inch 3,88	1,56	3,46	2,72	0,55	4,45	4,65	7,09	5,63	1,72	M10	1,97	M6	2,44	F05	0,55	0,98	lb 13,93		
GRC400	32	MPa 40	mm 143,5	71	100	73	14	162	145	300	162	51,6	4x 50	50	M6	73	F05	17	32	kg 12,228	GR2CTT6402PA000	GR2CTT6404NA000
		Psi 5800	inch 5,65	2,80	3,94	2,87	0,55	6,38	5,71	11,81	6,38	2,03	M12	1,97	M6	2,87	F05	0,67	1,26	lb 26,96		
GRC400	38	MPa 40	mm 160	78	110	80	14	178,5	165	300	180	60,1	4x 50	50	M6	85	F05	17	38	kg 16,867	GR2CTT7402PA000	GR2CTT7404NA000
		Psi 5800	inch 6,30	3,07	4,33	3,15	0,55	7,03	6,50	11,81	7,09	2,37	M16	1,97	M6	3,35	F05	0,67	1,50	lb 37,19		
GRC400	51	MPa 40	mm 192	93	116	90	14	206	196	300	205	69,3	4x 70	70	M8	98	F07	17	47	kg 32,855	GR2CTT8402PA000	GR2CTT8404NA000
		Psi 5800	inch 7,56	3,66	4,57	3,54	0,55	8,11	7,72	11,81	8,07	2,73	M16	2,76	M8	3,86	F07	0,67	1,85	lb 72,43		
GRC400	56	MPa 40	mm 192	93	150	107	14	206	203	300	208	83,4	4x 70	70	M8	118	F07	17	58	kg 32,855	GR2CTT9402PA000	GR2CTT9404NA000
		Psi 5800	inch 7,56	3,66	5,91	4,21	0,55	8,11	7,99	11,81	8,19	3,28	M20	2,76	M8	4,65	F07	0,67	2,28	lb 72,43		
GRC400	63	MPa 40	mm 205	100	150	107	18	223	210	600	272	102,5	4x 70	70	M8	145	F07	19	70	kg 36,569	GR2CTTA402PA000	GR2CTTA404NA000
		Psi 5800	inch 8,07	3,94	5,91	4,21	0,71	8,78	8,27	23,62	10,71	4,04	M24	2,76	M8	5,71	F07	0,75	2,76	lb 80,62		
GRC400	80	MPa 40	mm 251	122	170	132	26,5	278	258	600	326	123,7	4x 102	102	M10	175	F10	24	74	kg 65,411	GR2CTTB402PA000	GR2CTTB404NA000
		Psi 5800	inch 9,88	4,80	6,69	5,20	1,04	10,94	10,16	23,62	12,83	4,87	M30	4,02	M10	6,89	F10	0,94	2,91	lb 144,21		