



# G4K

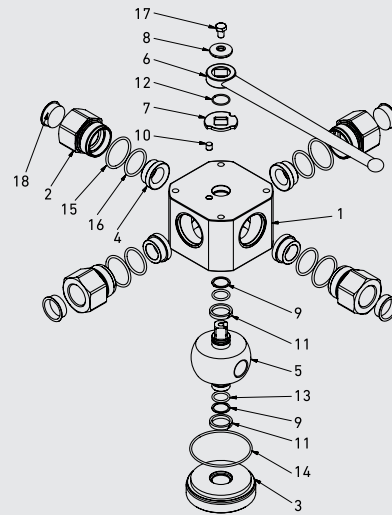
## 4-WAY HIGH PRESSURE BALL VALVES

Edition. 21.1

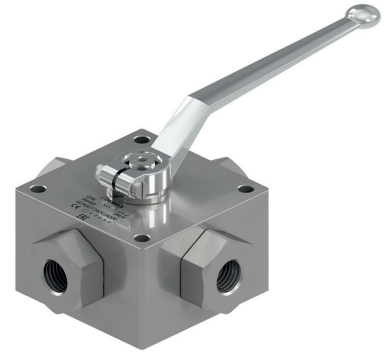
### CS Carbon Steel

- Type: ball valve 4 way
- Sizes: from DN6 up to DN25
- Ends: BSP-NPT
- Pressure: up to PN500
- Temp range: from -20°C to +100°C
- Treatment: Galvanized

### STANDARD COMPOSITION OF VALVE



POS	DESCRIPTION	Q.TY	CS	POS	DESCRIPTION	Q.TY	CS
			Carbon Steel				Carbon Steel
			MATERIAL				MATERIAL
1	Body	1	1,0737	11	Body ring	2	PTFE
2	Adapter	4	1,0737	12	Seeger	1	1,4404
3	Stemball adapter	1	1,0737	13	Stemball o-ring	2	NBR
4	Ball seat	4	POM	14	Body o-ring	1	NBR
5	Ball stem	1	1,0737	15	Adapter o-ring	4	NBR
6	Handle	1	ZINC	16	Seal o-ring	4	NBR
7	Washer	1	1,0116	17	Screw	1	DIN 6921 8.8
8	Washer	1	1,0116	18	Caps	4	PVC
9	Stemball ring	2	PTFE				
10	Pin	1	1,0737				



**CODE DESCRIPTION STRUCTURE**

<b>G4K</b>	<b>K01</b>	<b>G1/4</b>	<b>DN6</b>	<b>1</b>	<b>1</b>	<b>1</b>	<b>1</b>	<b>A</b>	<b>B</b>
------------	------------	-------------	------------	----------	----------	----------	----------	----------	----------

**Type and way of valve**

G4K 4-way

**Type of way**

- L K01
- T K02
- X K14

**Ends**

<b>GAS DIN/</b>	<b>NPT ANSI</b>
<b>ISO 228</b>	<b>/ASME</b>
<b>BSP</b>	<b>B1.20.1</b>
G 1/4	N 1/4
G 3/8	N 3/8
G 1/2	N 1/2
G 3/4	N 3/4
G 1	N 1
G 1 1/4 R	N 1 1/4 R
G 1 1/2 R	N 1 1/2 R

**Size**

from DN6 to DN25

**Body Material**

- 1 = 1,0737

**Adapter material**

- 1 = 1,0737

**Stem material**

- 1 = 1,0737

**Ball Material**

- 1 = 1,0737

**Seat material**

A = POM

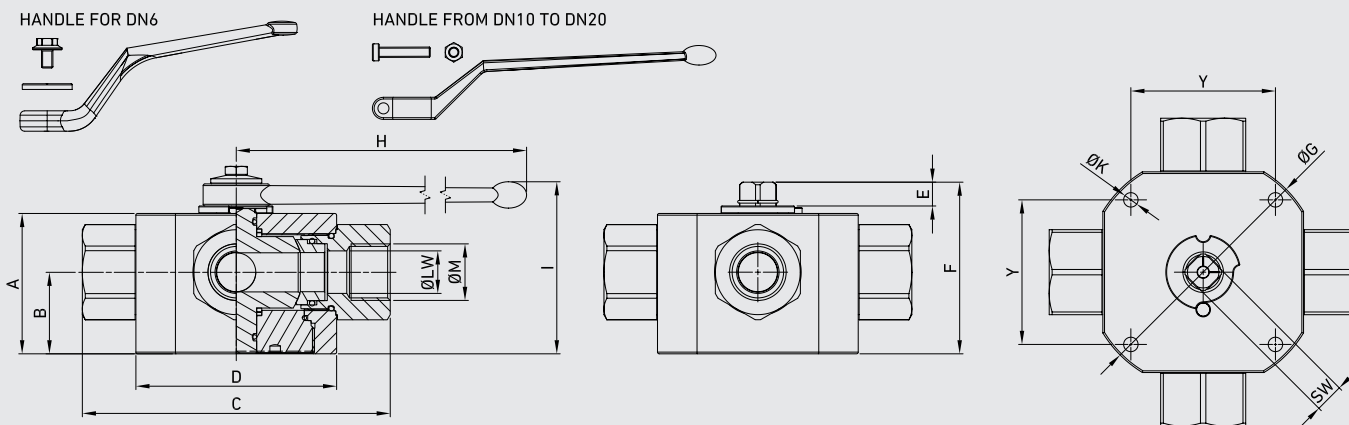
**Seal material**

B = NBR

**\*On request**

- Reduced bore
- Special threads
- Pressure class up to PN50 MPa
- Pneumatic and electrical actuator
- Locking device

*For further special requests please consult our technical/commercial service.*



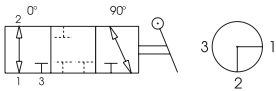
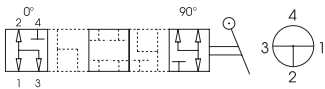
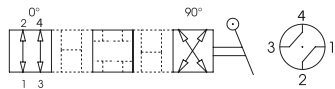
**G4K DIN ISO 228 BSP**

TYPE	DN	PN	A	B	C	D	E	F	ØG	H	I	ØK	ØM	Y	SW	ØLW	WEIGHT
G4K G 1/4	6	MPa 50	mm 42	21,5	100	70	11	56,5	-	110	97,5	6,5	G 1/4	55	9	6	kg 1,767
		Psi 7250	inch 1,65	0,85	3,94	2,76	0,43	2,22	-	4,33	3,84	0,26		2,17	0,35	0,24	lb 3,90
G4K G 3/8	10	MPa 50	mm 53	28,5	115	80	14	71,5	-	180	101	6,5	G 3/8	65	14	10	kg 3,018
		Psi 7250	inch 2,09	1,12	4,53	3,15	0,55	2,81	-	7,09	3,98	0,26		2,56	0,55	0,39	lb 6,65
G4K G 1/2	13	MPa 40	mm 62	33	136	100	14	80,5	-	180	110	8,5	G 1/2	80	14	13	kg 5,247
		Psi 5800	inch 2,44	1,30	5,35	3,94	0,55	3,17	-	7,09	4,33	0,33		3,15	0,55	0,51	lb 11,57
G4K G 3/4	20	MPa 35	mm 68	36	156	113	14	86,5	-	300	116,5	8,5	G 3/4	85	14	20	kg 6,898
		Psi 5075	inch 2,68	1,42	6,14	4,45	0,55	3,41	-	11,81	4,59	0,33		3,35	0,55	0,79	lb 15,21
G4K G 1	25	MPa 35	mm 82	47,5	181	118	14	100,5	138	300	130,5	8,5	G 1	85	14	25	kg 9,005
		Psi 5075	inch 3,23	1,87	7,13	4,65	0,55	3,96	5,43	11,81	5,14	0,33		3,35	0,55	0,98	lb 19,85
G4K G 1 1/4 R	25	MPa 35	mm 82	47,5	181	118	14	100,5	138	300	130,5	8,5	G 1 1/4	85	14	25	kg 8,989
		Psi 5075	inch 3,23	1,87	7,13	4,65	0,55	3,96	5,43	11,81	5,14	0,33		3,35	0,55	0,98	lb 19,82
G4K G 1 1/2 R	25	MPa 35	mm 82	47,5	181	118	14	100,5	138	300	130,5	8,5	G 1 1/2	85	14	25	kg 9,213
		Psi 5075	inch 3,23	1,87	7,13	4,65	0,55	3,96	5,43	11,81	5,14	0,33		3,35	0,55	0,98	lb 20,31

**G4K ANSI/ASME B1.20.1 NPT**

TYPE	DN	PN	A	B	C	D	E	F	ØG	H	I	ØK	ØM	Y	SW	ØLW	WEIGHT
G4K N 1/4	6	MPa 50	mm 42	21,5	100	70	11	56,5	-	110	97,5	6,5	N 1/4	55	9	6	kg 1,767
		Psi 7250	inch 1,65	0,85	3,94	2,76	0,43	2,22	-	4,33	3,84	0,26		2,17	0,35	0,24	lb 3,90
G4K N 3/8	10	MPa 50	mm 53	28,5	115	80	14	71,5	-	180	101	6,5	N 3/8	65	14	10	kg 3,018
		Psi 7250	inch 2,09	1,12	4,53	3,15	0,55	2,81	-	7,09	3,98	0,26		2,56	0,55	0,39	lb 6,65
G4K N 1/2	13	MPa 40	mm 62	33	136	100	14	80,5	-	180	110	8,5	N 1/2	80	14	13	kg 5,247
		Psi 5800	inch 2,44	1,30	5,35	3,94	0,55	3,17	-	7,09	4,33	0,33		3,15	0,55	0,51	lb 11,57
G4K N 3/4	20	MPa 35	mm 68	36	156	113	14	86,5	-	300	116,5	8,5	N 3/4	85	14	20	kg 6,898
		Psi 5075	inch 2,68	1,42	6,14	4,45	0,55	3,41	-	11,81	4,59	0,33		3,35	0,55	0,79	lb 15,21
G4K N 1	25	MPa 35	mm 82	47,5	181	118	14	100,5	138	300	130,5	8,5	N 1	85	14	25	kg 9,005
		Psi 5075	inch 3,23	1,87	7,13	4,65	0,55	3,96	5,43	11,81	5,14	0,33		3,35	0,55	0,98	lb 19,85
G4K N 1 1/4 R	25	MPa 35	mm 82	47,5	181	118	14	100,5	138	300	130,5	8,5	N 1 1/4	85	14	25	kg 8,989
		Psi 5075	inch 3,23	1,87	7,13	4,65	0,55	3,96	5,43	11,81	5,14	0,33		3,35	0,55	0,98	lb 19,82
G4K N 1 1/2 R	25	MPa 35	mm 82	47,5	181	118	14	100,5	138	300	130,5	8,5	N 1 1/2	85	14	25	kg 9,213
		Psi 5075	inch 3,23	1,87	7,13	4,65	0,55	3,96	5,43	11,81	5,14	0,33		3,35	0,55	0,98	lb 20,31

**G4K DIN ISO 228 BSP**
**G4K ANSL/ASME B1.20.1 NPT**

 L scheme  
G4 K01

 T scheme  
G4 K13

 X scheme  
G4 K14


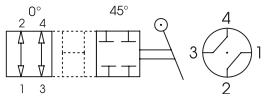
	CS Carbon Steel		CS Carbon Steel
ØLW-K01	ITEM CODE G4K01	ØLW-K01	ITEM CODE G4K01
6	G24GGT15011A000	6	G24NNT15011A000
10	G24GGT25011A000	10	G24NNT25011A000
13	G24GGT34011A000	13	G24NNT34011A000
19	G24GGT43011A000	19	G24NNT43011A000
23	G24GGT53011A000	23	G24NNT53011A000
23	G24GGR63011A000	23	G24NNT63011A000
23	G24GGR73011A000	23	G24NNT73011A000

ØLW-K13	ITEM CODE G4K13	ØLW-K13	ITEM CODE G4K13
6	G2DGGT15011A000	6	G2DNNT15011A000
10	G2DGGT25011A000	10	G2DNNT25011A000
13	G2DGGT34011A000	13	G2DNNT34011A000
19	G2DGGT43011A000	19	G2DNNT43011A000
23	G2DGGT53011A000	23	G2DNNT53011A000
23	G2DGGR63011A000	23	G2DNNT63011A000
23	G2DGGR73011A000	23	G2DNNT73011A000

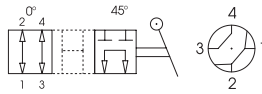
ØLW-K14	ITEM CODE G4K14	ØLW-K14	ITEM CODE G3K14
5	G2EGGT15011A000	5	G2ENNT15011A000
7	G2EGGT25011A000	7	G2ENNT25011A000
10	G2EGGT34011A000	10	G2ENNT34011A000
15	G2EGGT43011A000	15	G2ENNT43011A000
17	G2EGGT53011A000	17	G2ENNT53011A000
17	G2EGGR63011A000	17	G2ENNT63011A000
17	G2EGGR73011A000	17	G2ENNT73011A000

**Special schemes on request**

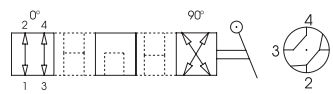
G4 K15



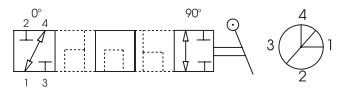
G4 K16



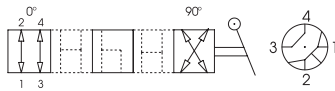
G4 K17



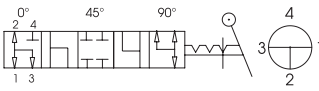
G4 K18



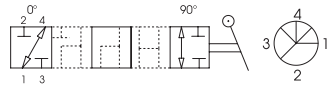
G4 K19



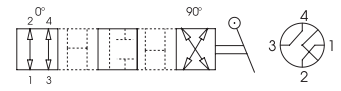
G4 K20



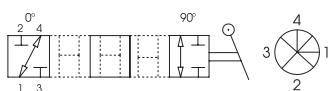
G4 K21



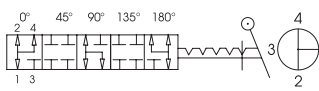
G4 K22



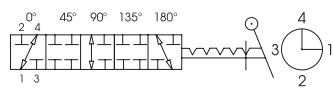
G4 K23



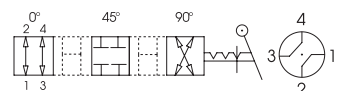
G4 K24



G4 K25



G4 K26



G4 K27

