



# GE1

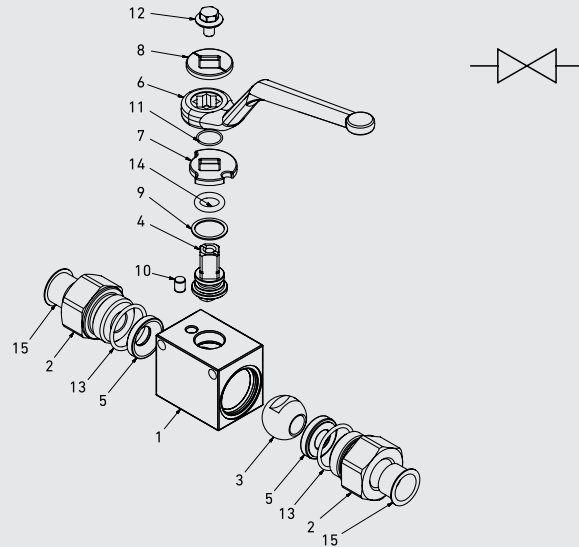
## 2-WAY HIGH PRESSURE BALL VALVES

Edition. 21.1

### CS Carbon Steel

- Type: ball valve 2 way
- Sizes: from DN6 up to DN13
- Ends: BSP-NPT-SAE
- Pressure: up to PN500
- Temp range: from -20°C to +100°C
- Treatment: Galvanized

### STANDARD COMPOSITION OF VALVE



POS	DESCRIPTION	Q.TY	CS Carbon Steel MATERIAL
1	Body	1	1,0737
2	Adapter	2	1,0737
3	Ball	1	1,0737
4	Stem	1	1,0737
5	Ball seat	2	POM
6	Handle	1	ZINC
7	Washer	1	1,0116
8	Washer	1	1,0116
9	Stem ring	1	POM
10	Pin	1	1,0737
11	Seeger	1	1,4404
12	Adapter o-ring	2	NBR
13	Stem o-ring	1	NBR
14	Screw	1	Din 6921 8.8
15	Caps	2	PVC



SMALLER DESIGN

## CODE DESCRIPTION STRUCTURE

**GE1 G 1/4 DN6 1 1 1 1 A B**

**Type and way of valve**

GE1 2-way

**Ends**

GAS DIN/ NPT ANSI SAE  
ISO 228 /ASME J1926-1  
BSP B1.20.1

G 1/4 N 1/4 SAE4  
G 3/8 N 3/8 SAE6  
G 1/2 N 1/2 SAE8

**Size**

from DN6 to DN13

**Body Material**

● 1 = 1,0737

**Adapter material**

● 1 = 1,0737

**Stem material**

● 1 = 1,0737 4 = 1,4404\*

**Ball Material**

● 1 = 1,0737 4 = 1,4404\*

**Seat material**

A = POM

**Seal material**

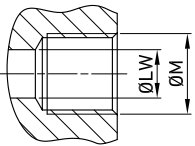
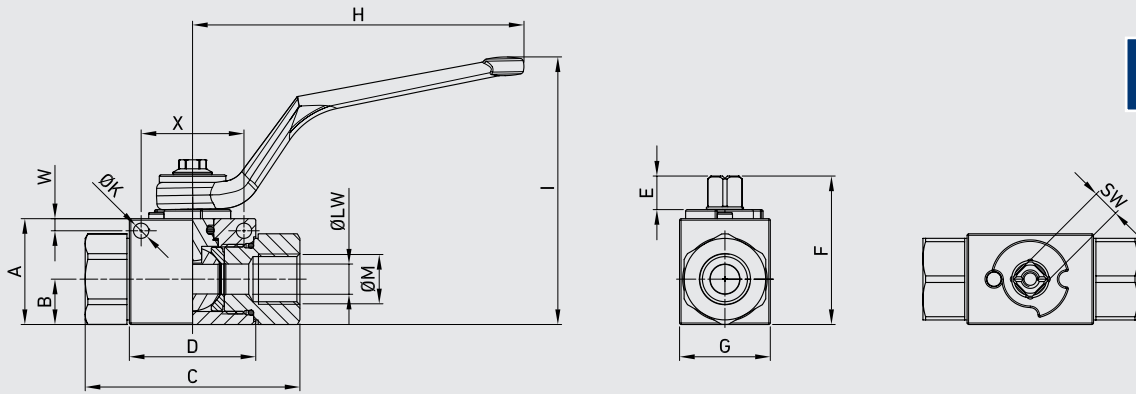
B = NBR

**\*On request**

- Reduced bore
- Special threads
- Pressure class up to PN50 MPa
- Pneumatic and electrical actuator
- Security block
- Locking device

For further special requests please consult our technical/commercial service.

SMALLER DESIGN

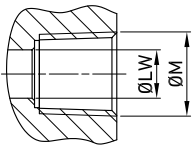


GE1 DIN/ISO 228 BSP

CS  
Carbon Steel

TYPE	DN	PN	A	B	C	D	E	F	G	H	I	ØM	ØK	W	X	SW	ØLW	WEIGHT	ITEM CODE
GE1 G 1/4	6	MPa 50	mm 33	14,3	69	40,4	11,1	47,25	26	110	87	G 1/4	5,10	4	34	9	6	kg 0,378	GE1GGT15011A000
		Psi 7250	inch 1,30	0,56	2,72	1,59	0,44	1,86	1,02	4,33	3,43		0,20	0,16	1,34	0,35	0,24	lb 0,83	
GE1 G 3/8	10	MPa 50	mm 35	15	71	41,8	11,1	49,25	30	110	89	G 3/8	5,1	4	34	9	10	kg 0,467	GE1GGT25011A000
		Psi 7250	inch 1,38	0,59	2,80	1,65	0,44	1,94	1,18	4,33	3,50		0,20	0,16	1,34	0,35	0,39	lb 1,03	
GE1 G 1/2	13	MPa 50	mm 40	18,3	83	44,4	11,1	54,25	35	110	94	G 1/2	5,1	4	36	9	13	kg 0,635	GE1GGT35011A000
		Psi 7250	inch 1,57	0,72	3,27	1,75	0,44	2,14	1,38	4,33	3,70		0,20	0,16	1,42	0,35	0,51	lb 1,40	

FIXING HOLES INCLUDED

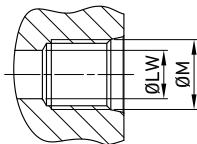


GE1 ANSI/ASME B1.20.1 NPT

CS  
Carbon Steel

TYPE	DN	PN	A	B	C	D	E	F	G	H	I	ØM	ØK	W	X	SW	ØLW	WEIGHT	ITEM CODE
GE1 N 1/4	6	MPa 50	mm 33	14,3	69	40,4	11,1	47,25	26	110	87	N 1/4	5,10	4	34	9	6	kg 0,378	GE1NNT15011A000
		Psi 7250	inch 1,30	0,56	2,72	1,59	0,44	1,86	1,02	4,33	3,43		0,20	0,16	1,34	0,35	0,24	lb 0,83	
GE1 N 3/8	10	MPa 50	mm 35	15	71	41,8	11,1	49,25	30	110	89	N 3/8	5,1	4	34	9	10	kg 0,467	GE1NNT25011A000
		Psi 7250	inch 1,38	0,59	2,80	1,65	0,44	1,94	1,18	4,33	3,50		0,20	0,16	1,34	0,35	0,39	lb 1,03	
GE1 N 1/2	13	MPa 50	mm 40	18,3	83	44,4	11,1	54,25	35	110	94	N 1/2	5,1	4	36	9	13	kg 0,635	GE1NNT35011A000
		Psi 7250	inch 1,57	0,72	3,27	1,75	0,44	2,14	1,38	4,33	3,70		0,20	0,16	1,42	0,35	0,51	lb 1,40	

FIXING HOLES INCLUDED


**GE1 SAE J1926-1**

																				CS Carbon Steel	
TYPE	DN	PN		A	B	C	D	E	F	G	H	I	ØM	ØK	W	X	SW	ØLW	WEIGHT	ITEM CODE	
GE1 SAE4	6	MPa	50	mm	33	14,3	69	40,4	11,1	47,25	26	110	87	7/16	5,10	4	34	9	6	kg 0,378	GE1EEE05011A000
		Psi	7250	inch	1,30	0,56	2,72	1,59	0,44	1,86	1,02	4,33	3,43	UNF	0,20	0,16	1,34	0,35	0,24	lb 0,83	
GE1 SAE6	10	MPa	50	mm	35	15	71	41,8	11,1	49,25	30	110	89	9/16	5,1	4	34	9	10	kg 0,467	GE1EEE15011A000
		Psi	7250	inch	1,38	0,59	2,80	1,65	0,44	1,94	1,18	4,33	3,50	UNF	0,20	0,16	1,34	0,35	0,39	lb 1,03	
GE1 SAE8	13	MPa	50	mm	40	18,3	83	44,4	11,1	54,25	35	110	94	3/4	5,1	4	36	9	13	kg 0,635	GE1EEE25011A000
		Psi	7250	inch	1,57	0,72	3,27	1,75	0,44	2,14	1,38	4,33	3,70	UNF	0,20	0,16	1,42	0,35	0,51	lb 1,40	

**FIXING HOLES  
INCLUDED**