



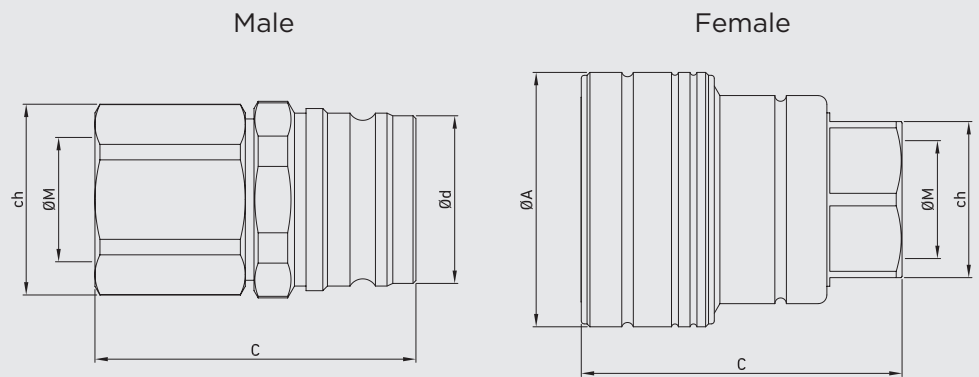
BGF

ISO 5676 - BRAKE COUPLINGS

Edition. 21.0

CS Carbon Steel

- Type: Quick Couplings
- Models: ISO 5676
- Sizes: from DN10 to DN13
- Pressure: up to PN210
- Treatment: Galvanized



Available also
in patented version:
ball valve with integrated
quick coupling.



CODE DESCRIPTION STRUCTURE

QC	DN12,5	1M/F	DN12,5	1	B
-----------	---------------	-------------	---------------	----------	----------

Type of coupling

FLAT FACE - BGF

Ends

ISO 1179-1 BSPP	ISO 8434-1-L (DIN2353)	ISO 8434-1-L (DIN2353) BULKHEAD
G 3/8	12L	12L
G 1/2	15L	15L

MALE

FEMALE

DN/ISO

10
13

Body Material

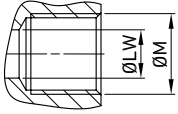
● 1 = 1,0737

Seal material

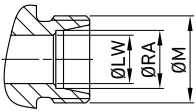
B = NBR E = FKM*

*On request

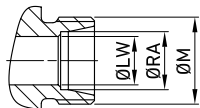
• Plugs


**QUICK COUPLINGS BGF ISO 5676 (male / female)
FEMALE THREAD ISO 1179-1 BSPP**

										CS Carbon Steel
TYPE	DN	PN	ØA	C	Ød	ch	ØM	WEIGHT		ITEM CODE
QC BGF G 3/8 MALE	12,5	MPa 21	mm -	55,5	29	30	G3/8	kg	0,226	NC21G030001
		Psi 3045	inch -	2,19	1,14	1,18		lb	0,50	
QC BGF G3/8 FEMALE		MPa 21	mm 44	55,5	-	27	G3/8	kg	0,333	NC22G030001
		Psi 3045	inch 1,73	2,19	-	1,06		lb	0,73	
QC BGF G 1/2 MALE		MPa 21	mm -	55,5	29	30	G1/2	kg	0,226	NC21G030000
		Psi 3045	inch -	2,19	1,14	1,18		lb	0,50	
QC BGF G 1/2 FEMALE	MPa 21	mm 44	55,5	-	27	G1/2	kg	0,319	NC22G030000	
	Psi 3045	inch 1,73	2,19	-	1,06		lb	0,70		


**QUICK COUPLINGS BGF ISO 5676 (male / female)
MALE THREAD METRIC ISO 8434-1-L (DIN2353)**

										CS Carbon Steel
TYPE	DN	PN	ØA	C	Ød	ch	ØM	WEIGHT		ITEM CODE
QC BGF 12L MALE	12,5	MPa 21	mm -	51	29	32	M18X1,5	kg	0,157	NC21L030001
		Psi 3045	inch -	2,01	1,14	1,26		lb	0,35	
QC BGF 12L FEMALE		MPa 21	mm 44	51	-	27	M18X1,5	kg	0,321	NC22L030001
		Psi 3045	inch 1,73	2,01	-	1,06		lb	0,71	
QC BGF 15L MALE		MPa 21	mm -	60,5	29	32	M22X1,5	kg	0,157	NC21L030000
		Psi 3045	inch -	2,38	1,14	1,26		lb	0,35	
QC BGF 15L FEMALE	MPa 21	mm 44	60,5	-	27	M22X1,5	kg	0,332	NC22L030000	
	Psi 3045	inch 1,73	2,38	-	1,06		lb	0,73		



QUICK COUPLINGS BGF ISO 5676 (male / female) MALE THREAD METRIC ISO 8434-1-L (DIN2353) BULKHEAD

										CS Carbon Steel
TYPE	DN	PN	ØA	C	Ød	ch	ØM	WEIGHT		ITEM CODE
QC BGF 12LBK MALE	12,5	MPa 21	mm	58,5	29	32	M18X1,5	kg	0,55	NC21M030001
		Psi 3045	inch	0,00	2,30	1,14		1,26	lb	
QC BGF 12LBK FEMALE		MPa 21	mm	44	58,5	27	M18X1,5	kg	0,63	NC22M030001
		Psi 3045	inch	1,73	2,30	0,00		1,06	lb	
QC BGF 15LBK MALE		MPa 21	mm	60,5	29	32	M22X1,5	kg	0,18	NC21M030000
		Psi 3045	inch	0,00	2,38	1,14		1,26	lb	
QC BGF 15LBK FEMALE		MPa 21	mm	44	60,5	27	M22X1,5	kg	0,25	NC22M030000
		Psi 3045	inch	1,73	2,38	0,00		1,06	lb	